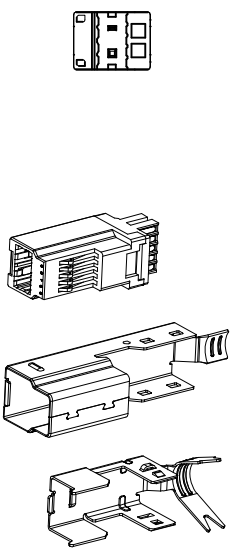
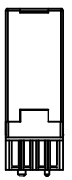
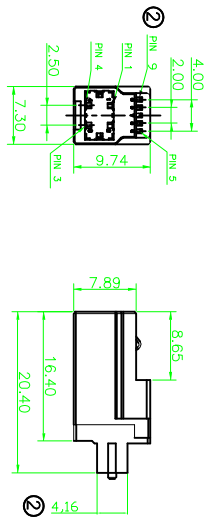
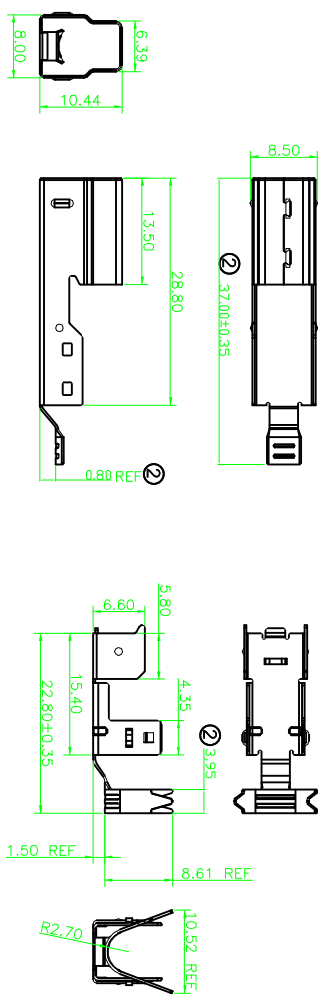


1	2	3	4	5	6	7
---	---	---	---	---	---	---



NOTES:

1. Material:
 - 1.1 Housing: PBT+30%GF UL94V-0, Color Blue
 - 1.2 Shell: SPCC
 - 1.3 Contact : Copper Alloy
2. FINISH:
 - 2.1 Contact Area: Selective 15u"Au

Solder Area: Tin Plated

Under: Ni Plated
3. MECHANICAL:
 - 3.1 Mating Force: 3.57kgf Max.
 - 3.2 Unmating Force: 1.02kgf Min
 - 3.3 Durability: 1500 cycles Min
4. ELECTRICAL:
 - 4.1 Current Rating: 1.0A at 30V
 - 4.2 Dielectric Strength: 300V AC FOR 1 MINUTE
 - 4.3 Contact Resistance: 30mΩ Max
 - 4.4 Insulation Resistance: 100 MΩ Min
5. Operating temperature: -20°C TO +85°C
6. PACKING: PE Bag

RoHS compliant

Scale	Free																		
TOLERANCE																			
.X	±0.30																		
.XX	±0.20																		
.XXX	±0.10																		
DIM	TOL																		
X. °	±5°																		
Angle	TOL																		
UNIT	mm																		

①	Update P/N to A-USBPB-3	19.01.2018	Winnie																
②	Update the dimension	06.02.2018	Tom																
③	Drawn	07.06.2013	Winnie																

Id.	Modification	Date	Name	Date	Name	Customer-No.	Drawing-No.	ASSMANN WSW-No.	A-USBPB-3

Drawn	07.06.2013	Winnie	Approved	06.02.2018	Winnie	ASSMANN WSW-No.	A-USBPB-3

ASSMANN	components	Replace	ASS 5771 CO	rev02
				SHEET

1	2	3	4	5	6	7
---	---	---	---	---	---	---

H	G	F	E	D	C	B	A
---	---	---	---	---	---	---	---