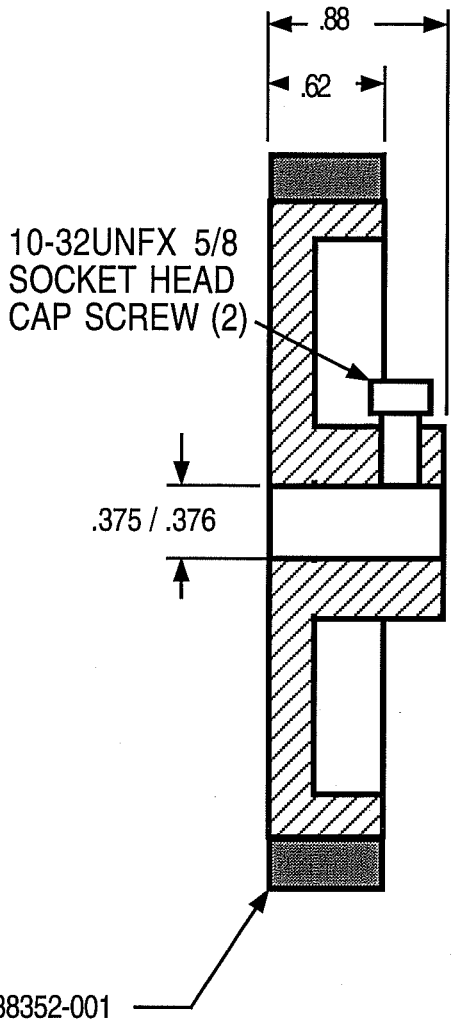
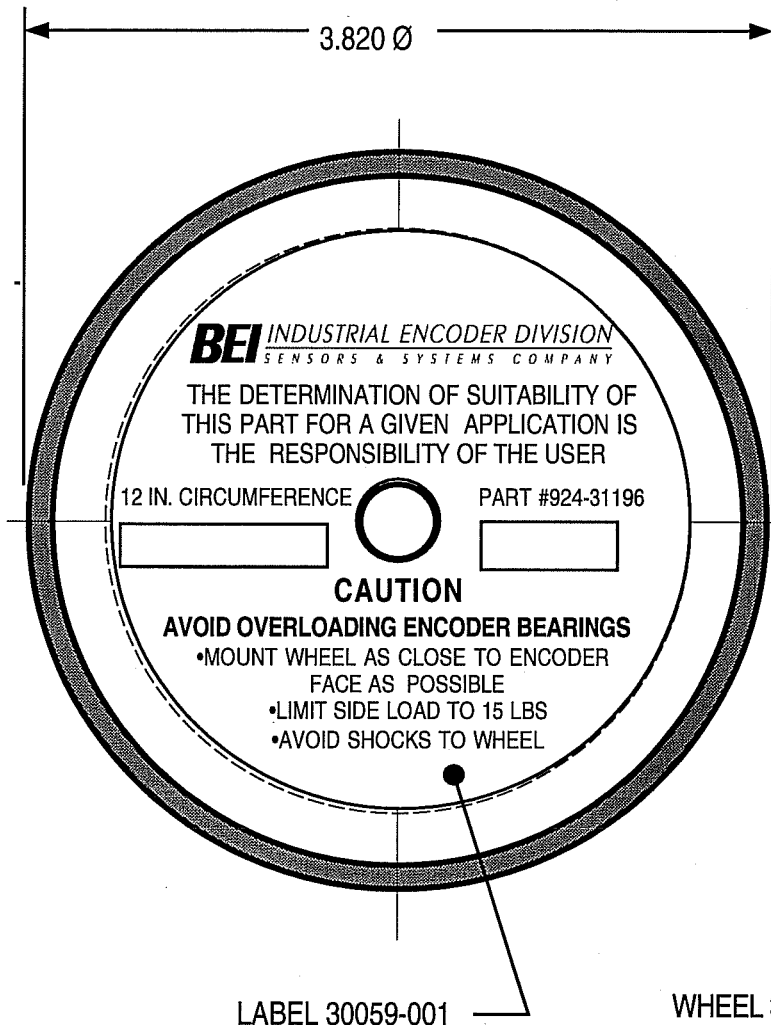


Next Assy	Used on	Ltr	Revision	Date
		B	PN ON LABEL WAS 31195	3/31/99
		C	5/8 LENGTH ADDED TO SCREW CALLOUT	7/14/99
		D	REMOVED INK MARKINGS	1/9/02



All drawings and specifications are and remain the property of BEI Motion Systems Company. All specifications are confidential and are not to be disclosed to any persons other than those to whom they are sent. No drawings, specifications or other data belonging to BEI Motion Systems Company which may be furnished to manufacturers or others for any purpose are to be regarded by implication or otherwise as in any manner licensing the holder or any other person or corporation or conveying any rights or permission to manufacture, use or sell any patented invention that may in any way be related thereto

Unless otherwise specified: Dimensions are in inches. Tolerances: XXX = .005 xx = ±.01	BEI INDUSTRIAL ENCODER DIVISION BEI TECHNOLOGIES, INC. 7230 Hollister Avenue • Goleta, CA 93117-2891 • Tel: (805) 968-0782 • Fax: (805) 968-3154
--	--

Material	Drawn	MEASURING WHEEL ASSY, 12" CIRCUMFERENCE		
	App'd <i>DVC</i>			
Finish	Scale	Code Ident. No.	Dwg. No.	Rev.
		64127	924-31196-001	D