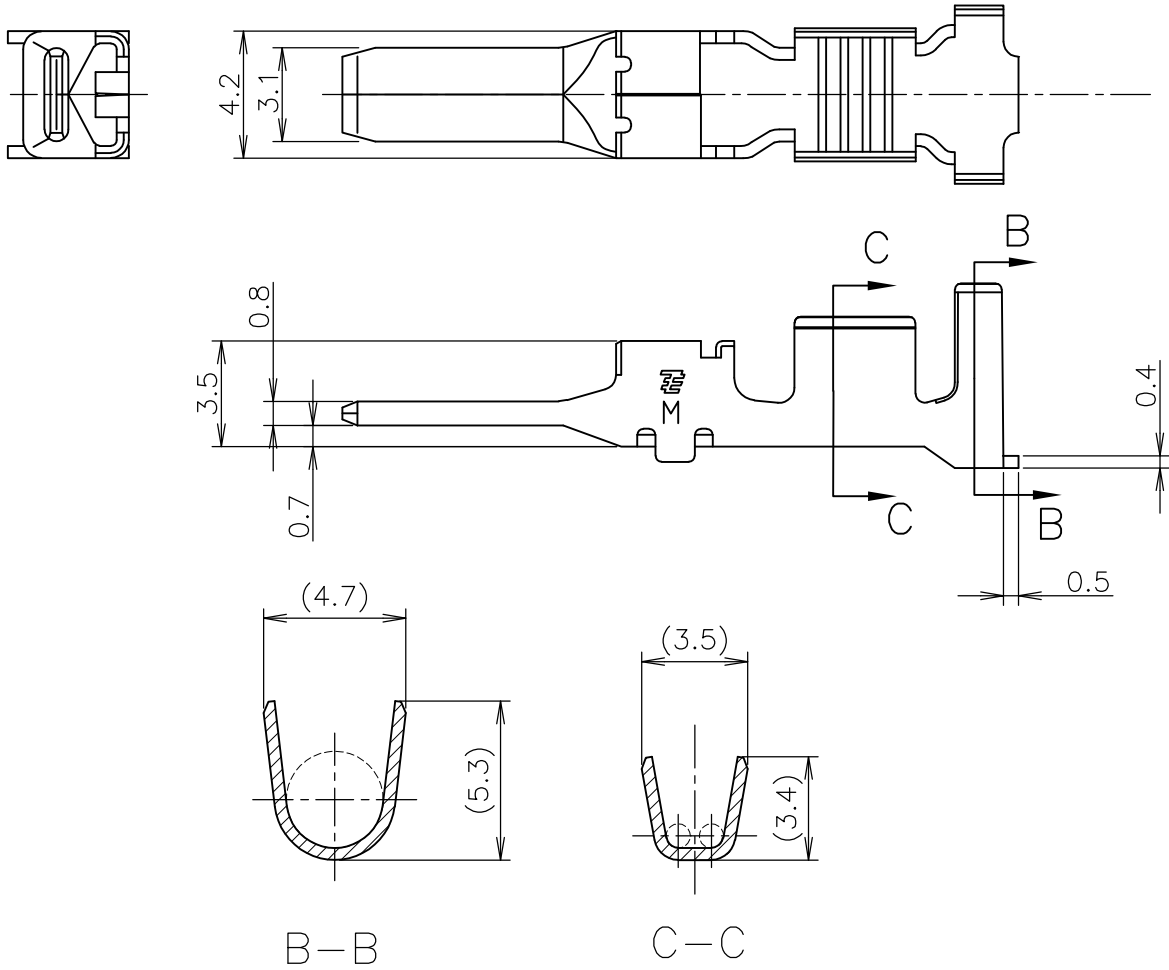


LOC J	DIST /	REVISIONS 変更			DATE	DWN	APVD
		P	LTR	DESCRIPTION			
			A	REVISED ECR-10-010452	10JUN2010	T.T	T.M



- 1 一般公差 : ±0.25
- 2 材料 : 錫めっき済 銅合金
- 3 適用電線 : AWG #16-#14 (被覆外径φ2.0~φ3.75)

- 1 GENERAL TOLERANCE: ±0.25
- 2 MATERIAL: PRE-TIN COPPER ALLOY
- 3 APPLICABLE WIRE: AWG #16-#14 (INS DIAφ2.0~φ3.75)

M TYPE

1746973-1
PART NUMBER

THIS DRAWING IS UNPUBLISHED. MAY, 2004.

ALL INTERNATIONAL RIGHTS RESERVED.

COPYRIGHT 2004 BY TYCO ELECTRONICS CORPORATION.

DIMENSIONS: 単位: 耗 mm	DWN A.OISHI	17MAY2004	MATERIAL 材料	FINISH 仕上
	CHK N.YAMASAKI	17MAY2004	Tyco Electronics Corporation Kawasaki, Japan	
TOLERANCES UNLESS OTHERWISE SPECIFIED: 一般公差	APVD N.YAMASAKI	17MAY2004		
	0 PLC ± -	PRODUCT SPEC 製品規格	108-5979	SIZE
1 PLC ± -	APPLICATION SPEC 取付適用規格	114-5356	CAGE CODE	00779
2 PLC ± -	WEIGHT		DRAWING NO 番号	1746973
3 PLC ± -			RESTRICTED TO	
4 PLC ± -				
ANGLES ± -				
	CUSTOMER DRAWING		SCALE 尺度	4:1
			SHEET	1 OF 1
			REV	A