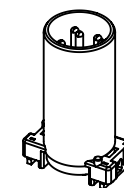
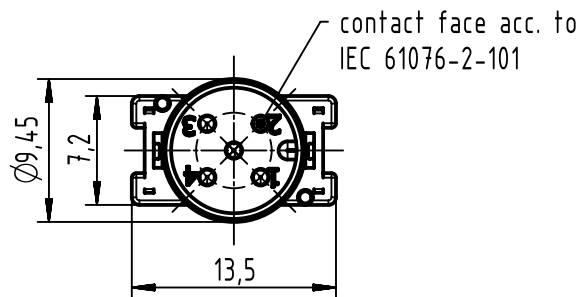
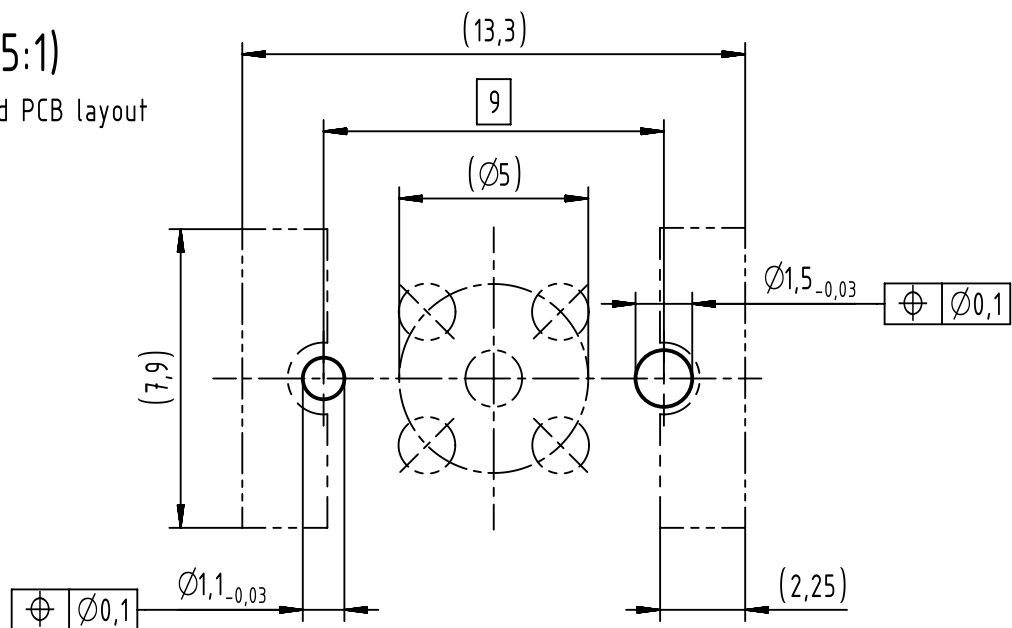


A (5:1)
recommended PCB layout



- 1 pcs. single package

	All rights reserved Department EC PD - DE	All Dimensions in mm Original Size DIN A4		Scale 2:1	Free size tol.	Ref. Sub. TB 21033211502 500000099094 2016-01-07	
		HARTING Electronics GmbH D-32339 Espelkamp	Created by HELLMANN	Inspected by EISFELD	Standardisation HOFFMANN	Date 2016-05-31	State Final Release
Title HARTING M12 PCB recpt str 5-pole A-cod male unshielded						Doc-Key / ECM-Nr. 100647482/UGD/000/C 500000103181	
				Type TB	Number 21033111515	Rev. C	Page 1/1