

THIS DRAWING IS UNPUBLISHED.

RELEASED FOR PUBLICATION

ALL RIGHTS RESERVED.

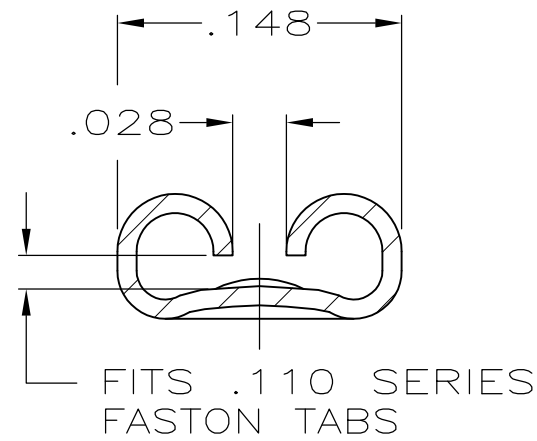
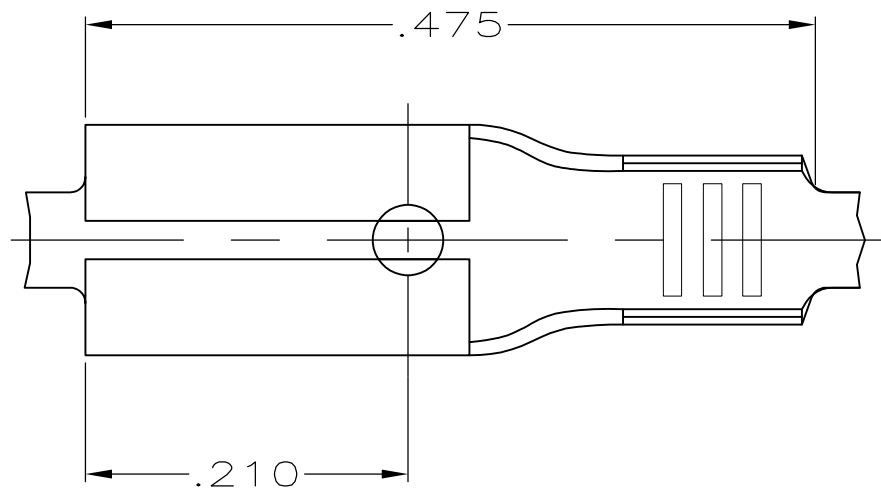
© COPYRIGHT - By -

LOC AF DIST 50

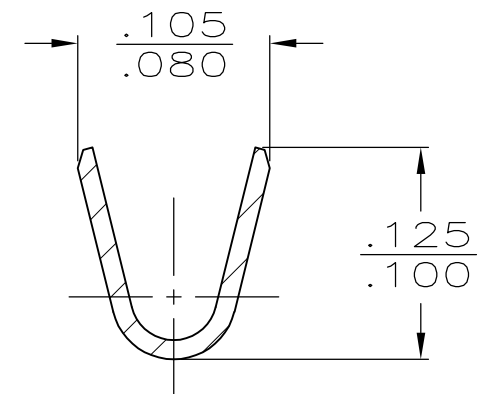
REVISIONS

P	LTR	DESCRIPTION	DATE	DWN	APVD
	U	REVISED PER ECR-12-013445	09NOV12	KH	PD

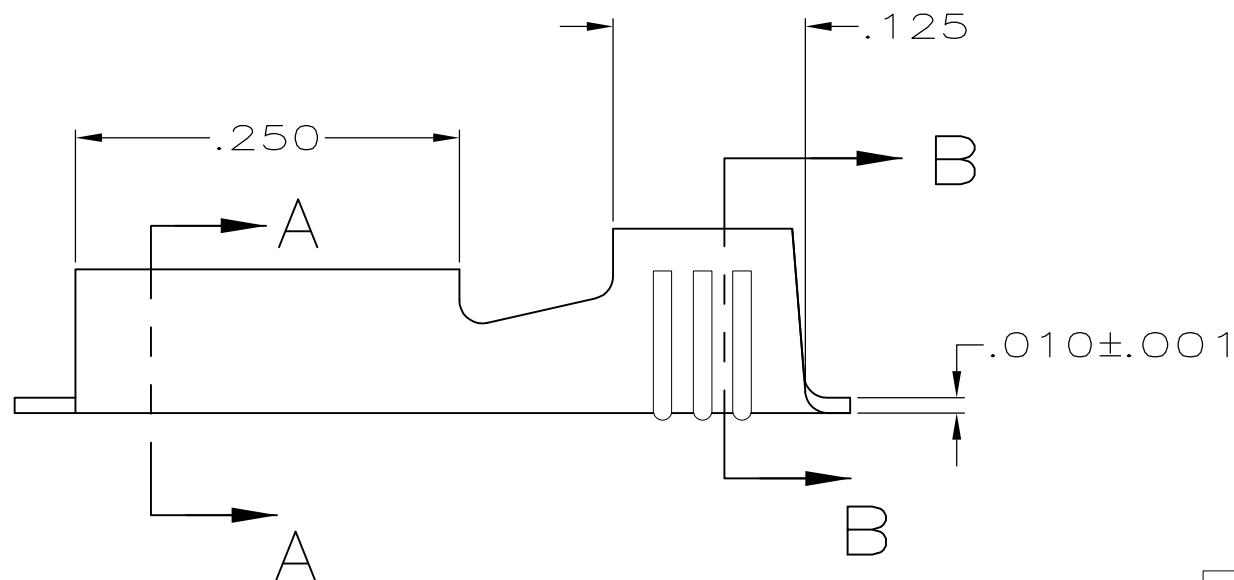
- 1 CONTINUOUS STRIP ON REELS
- 2 FEED TO BE $.535 \pm .005$




SECTION A-A
SCALE 10:1



SECTION B-B
SCALE 10:1



PRE-TIN	20-18 or (2) #20's	.032	60601-1
FINISH	WIRE SIZE	MATING TAB THK ±.001	PART NO.

THIS DRAWING IS A CONTROLLED DOCUMENT.		DWN JR RUTH 4/1/91	 TE Connectivity RECEPTACLE, FASTON, .110 SERIES	
DIMENSIONS: INCHES		CHK MS FEHER 4/1/91		
TOLERANCES UNLESS OTHERWISE SPECIFIED:		APVD C MEYERS 4/1/91		
0 PLC ± - 1 PLC ± - 2 PLC ± - 3 PLC ± .015 4 PLC ± - ANGLES ± -		NAME		
MATERIAL BRASS		FINISH SEE TABLE	PRODUCT SPEC	SIZE
			APPLICATION SPEC	CAGE CODE
			WEIGHT -	DRAWING NO
			CUSTOMER DRAWING	RESTRICTED TO
			SCALE 8:1	SHEET 1 OF 1
				REV U