

MATERIALS AND FINISHES

BODY STAINLESS STEEL  
PASSIVATE

CENTER CONTACT BERYLLIUM COPPER  
PLATED GOLD

INSULATOR TEFLON

SCREW STEEL

$\phi$  1.600 ± 0.025  
.063 ± 0.001  
2 PLACES  
THRU

7.16 ± 0.05  
.282 ± 0.002

3.58 ± 0.05  
.141 ± 0.002  
2 PLACES

GROUND  
PAD

$\phi$  4.32  
.170  
GROUND PAD  
MINIMUM

$\phi$  2.57 ± 0.05  
.101 ± 0.002  
GROUND PAD

0.76 ± 0.08  
 $\phi$  .030 ± 0.003  
SIGNAL  
PAD

SIGNAL PAD

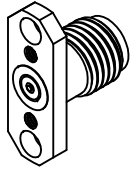
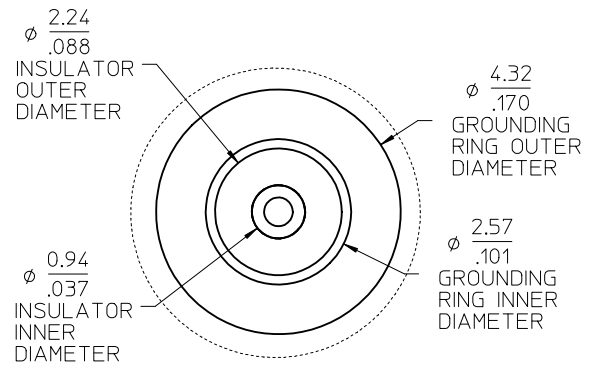
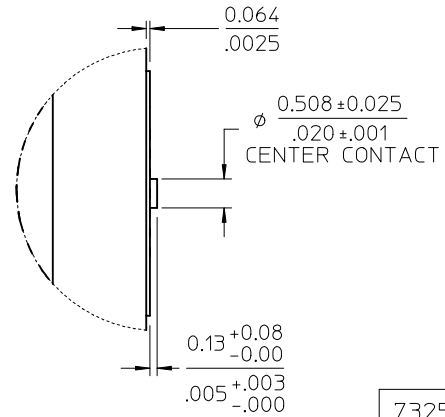
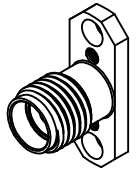
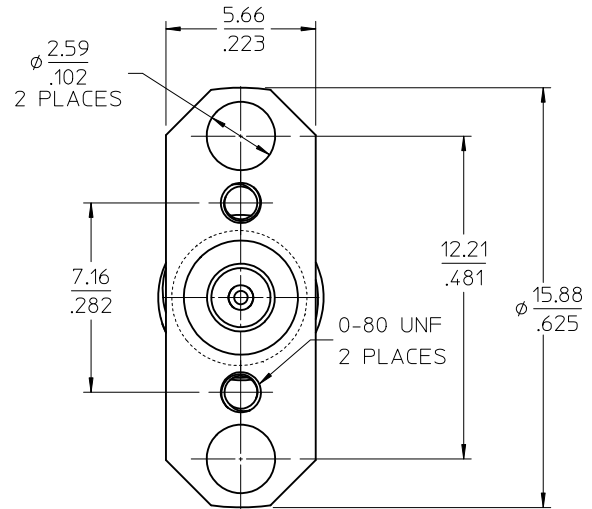
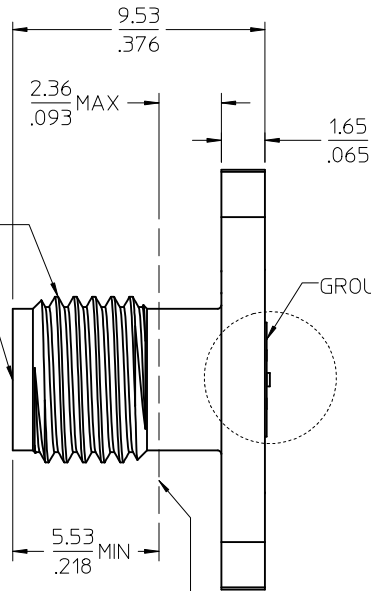
RECOMMENDED PCB LAYOUT

1/4-36 UNS-2A

SMA JACK  
INTERFACE

GROUNDING RING

MOUNTING SCREWS MUST NOT  
EXTEND BEYOND THIS POINT



|                         |                    |
|-------------------------|--------------------|
| PS-89675-3460           | ELECTO/MECH PERFOR |
| MIL-STD-348A, FIG 310-2 | INTERFACE          |
| SPECIFICATION           | DESCRIPTION        |

|            |                             |
|------------|-----------------------------|
| 73251-1852 | P/N 73251-1850, ONE PER BAG |
| 73251-1850 | WITHOUT SCREWS              |
| PART NO.   | DESCRIPTION                 |

|                     |            |             |
|---------------------|------------|-------------|
| CHG: ADDED -1856    | REV        | DESCRIPTION |
| EC NO: URF2012-0425 | 2012/01/16 |             |
| DRWN: JWENER        | 2012/01/16 |             |
| CHKD: SSS           | 2012/01/16 |             |
| APPR: JWENER        | 2012/01/17 |             |
| B14                 |            |             |

|                 |                                       |
|-----------------|---------------------------------------|
| QUALITY SYMBOLS | GENERAL TOLERANCES (UNLESS SPECIFIED) |
| ▽=0             | mm INCH                               |
| ▽=0             | 4 PLACES ± --- ± ---                  |
|                 | 3 PLACES ± --- ± ---                  |
|                 | 2 PLACES ± --- ± ---                  |
|                 | 1 PLACE ± --- ± ---                   |
|                 | ANGULAR ± 2 °                         |

|              |              |   |
|--------------|--------------|---|
| DRAWN BY     | DATE         | TITLE   |
| GMH          | 2003/04/21   | SMA JACK, 2H FLG WITH 0-80 THD, 50 OHM 27 GHZ SMA-JR/F EWR-1995 |
| CHECKED BY   | DATE         |   |
| SSS          | 2003/04/21   |   |
| APPROVED BY  | DATE         |   |
| JWENER       | 2010/06/09   |   |
| MATERIAL NO. | DOCUMENT NO. | SHEET NO.   |
| SEE TABLE    | SD-73251-185 | 1 OF 3  |

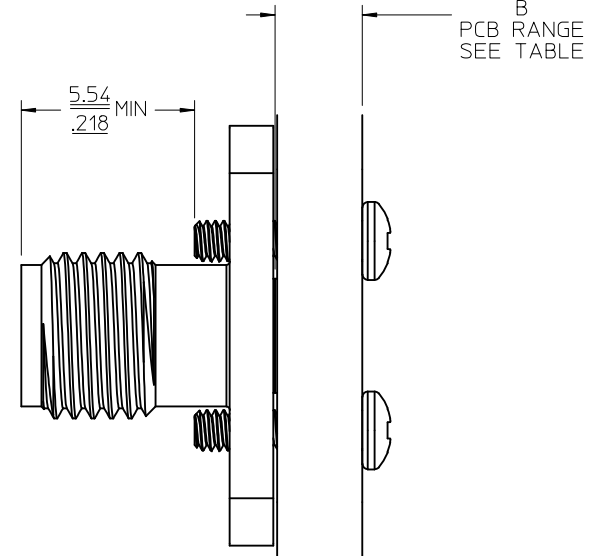
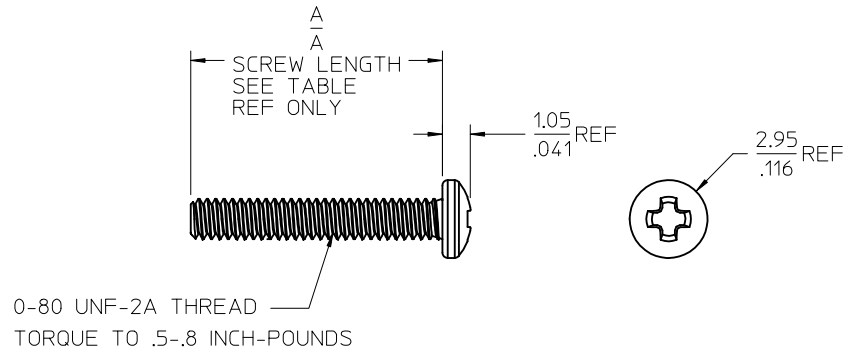
|   |       |              |                        |
|---|-------|--------------|------------------------|
| DIMENSION STYLE   | SCALE | DESIGN UNITS | THIRD ANGLE PROJECTION |
| MM/IN   |       | METRIC       |                        |
| THIS DRAWING CONTAINS INFORMATION THAT IS PROPRIETARY TO MOLEX INCORPORATED AND SHOULD NOT BE USED WITHOUT WRITTEN PERMISSION |       |              |                        |

MATERIALS AND FINISHES

SEE SHEET 1

PCB LAYOUT

SEE SHEET 1



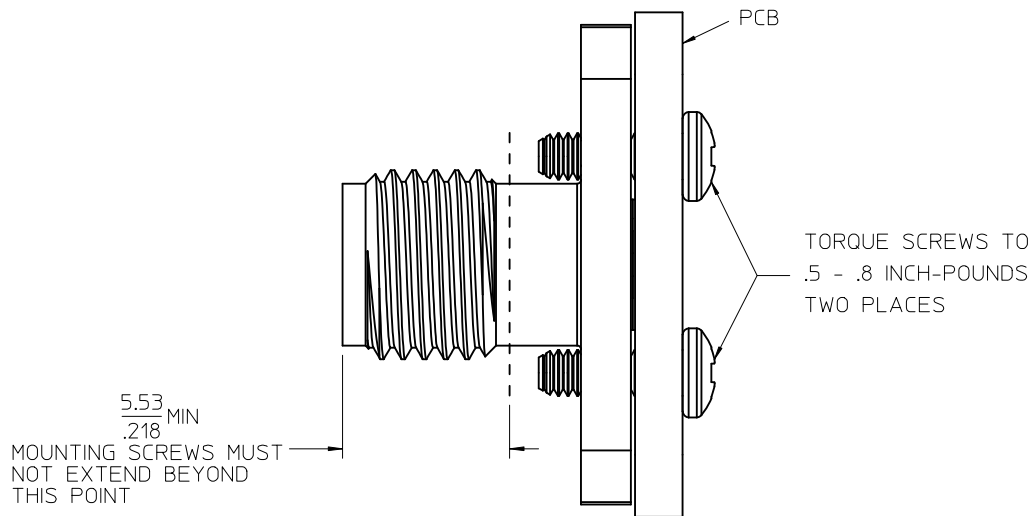
|            |           |                 |                 |              |            |
|------------|-----------|-----------------|-----------------|--------------|------------|
| 73251-1856 | 4.8 / .19 | .062+.060/- .01 | 1.57+1.52/- .25 | 2            | SINGLE BAG |
| 73251-1855 | 3.18/.125 | .055+.00/- .045 | 1.40+0.00/-1.14 | 2            | TRAY       |
| 73251-1854 | 9.53/.375 | .255+.060/- .02 | 6.48+1.52/- .51 | 2            | TRAY       |
| 73251-1853 | 6.4/.25   | .130+.060/- .01 | 3.30+1.52/- .25 | 2            | TRAY       |
| 73251-1851 | 4.8/.19   | .062+.060/- .01 | 1.57+1.52/- .25 | 2            | TRAY       |
| PART NO.   | (MM/IN)   | IN              | MM              | SCREWS (QYT) | PACKAGING  |
|            | DIM A     | DIM B           |                 |              |            |

|                      |                          |                 |
|----------------------|--------------------------|-----------------|
| CHG: SEE SHT 1       | EC NO: URF2012-0425      | QUALITY SYMBOLS |
|                      | DRWN: JWIENER 2012/01/16 | ▽=0             |
| CHKD: SSS 2012/01/16 | APP: JWIENER 2012/01/17  | ▽=0             |
| B14                  | DESCRIPTION              |                 |

|  |                 |   |                         |                        |
|--|-----------------|---|-------------------------|------------------------|
| GENERAL TOLERANCES (UNLESS SPECIFIED)                | DIMENSION STYLE | SCALE   | DESIGN UNITS            | THIRD ANGLE PROJECTION |
|  | MM/IN           |   | METRIC                  |                        |
| 4 PLACES ± --- ± ---                                 | DRAWN BY        | DATE  | TITLE                   |                        |
| 3 PLACES ± --- ± ---                                 | GMH             | 2003/04/21  | SMA JACK, 2H FLG WITH   |                        |
| 2 PLACES ± --- ± ---                                 | CHECKED BY      | DATE  | 0-80 THD, 50 OHM 27 GHZ |                        |
| 1 PLACE ± --- ± ---                                  | SSS             | 2003/04/21  | SMA-JR/F EWR-1995       |                        |
| ANGULAR ± 2 °  | APPROVED BY     | DATE  | MOLEX INCORPORATED      |                        |
|  | JWIENER         | 2010/06/09  | MATERIAL NO. SEE TABLE  |                        |
| DRAFT WHERE APPLICABLE MUST REMAIN WITHIN DIMENSIONS | DOCUMENT NO.    | SD-73251-185  |                         |                        |
|  | SIZE            | SHEET NO. 2 OF 3  |                         |                        |
|  |                 | THIS DRAWING CONTAINS INFORMATION THAT IS PROPRIETARY TO MOLEX INCORPORATED AND SHOULD NOT BE USED WITHOUT WRITTEN PERMISSION |                         |                        |

ADDITIONAL APPLICATION NOTES / ASSEMBLY INSTRUCTIONS

1. SEE SHEET ONE FOR SUGGESTED PCB LAYOUT. HEIGHT OF GROUND AND SIGNAL PADS MUST BE EVEN WITHIN ±.038 (.0015).
2. SECURE CONNECTOR TO BOARD BY THREADING TWO 0-80 SCREWS FROM BOTTOM SIDE OF BOARD THROUGH CONNECTOR HOLES TO INDICATED TORQUE (SEE FIGURE).  
  
DO NOT SOLDER CONNECTOR TO BOARD.
3. ONCE CONNECTOR IS MOUNTED TO BOARD ANY LOOSENING OR REMOVAL OF SCREWS CAN AND/OR WILL CAUSE CONNECTOR TO NO LONGER FUNCTION AS DESIGNED.



|                     |             |
|---------------------|-------------|
| CHG: SEE SHEET 1    | 2012/01/16  |
| EC NO: URF2012-0425 | 2012/01/16  |
| DRWN: JWIENER       | 2012/01/16  |
| CHKD: SSS           | 2012/01/16  |
| APPR: JWIENER       | 2012/01/17  |
| REV                 | DESCRIPTION |
| B14                 |             |

|                 |
|-----------------|
| QUALITY SYMBOLS |
| ▽=0             |
| ▽=0             |

|  |        |         |
|--|--------|---------|
| GENERAL TOLERANCES (UNLESS SPECIFIED)                | mm     | INCH    |
| 4 PLACES   | ± .005 | ± .0002 |
| 3 PLACES   | ± .005 | ± .0002 |
| 2 PLACES   | ± .005 | ± .0002 |
| 1 PLACE  | ± .005 | ± .0002 |
| ANGULAR ± 2 °  |        |         |
| DRAFT WHERE APPLICABLE MUST REMAIN WITHIN DIMENSIONS |        |         |

|                 |            |   |              |                        |
|-----------------|------------|---|--------------|------------------------|
| DIMENSION STYLE |            | SCALE   | DESIGN UNITS | THIRD ANGLE PROJECTION |
| MM/IN           |            |   | METRIC       |                        |
| DRAWN BY        | DATE       | TITLE   |              |                        |
| GMH             | 2003/04/21 | SMA JACK, 2H FLG WITH 0-80 THD, 50 OHM 27 GHZ SMA-JR/F EWR-1995   |              |                        |
| CHECKED BY      | DATE       | MOLEX MOLEX INCORPORATED  |              |                        |
| SSS             | 2003/04/21 | MATERIAL NO. SEE TABLE DOCUMENT NO. SD-73251-185 SHEET NO. 3 OF 3   |              |                        |
| APPROVED BY     | DATE       | THIS DRAWING CONTAINS INFORMATION THAT IS PROPRIETARY TO MOLEX INCORPORATED AND SHOULD NOT BE USED WITHOUT WRITTEN PERMISSION |              |                        |
| JWIENER         | 2010/06/09 |   |              |                        |

|              |  |              |           |
|--------------|--|--------------|-----------|
| MATERIAL NO. |  | DOCUMENT NO. | SHEET NO. |
| SEE TABLE    |  | SD-73251-185 | 3 OF 3    |