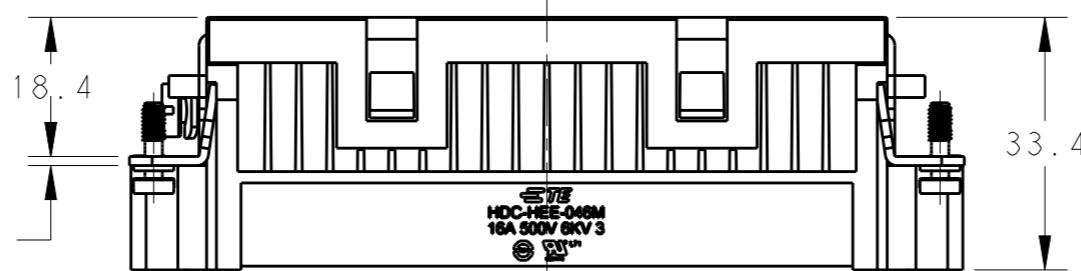
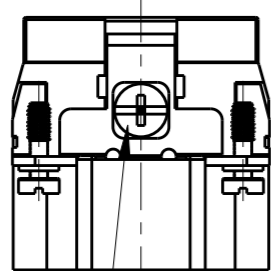
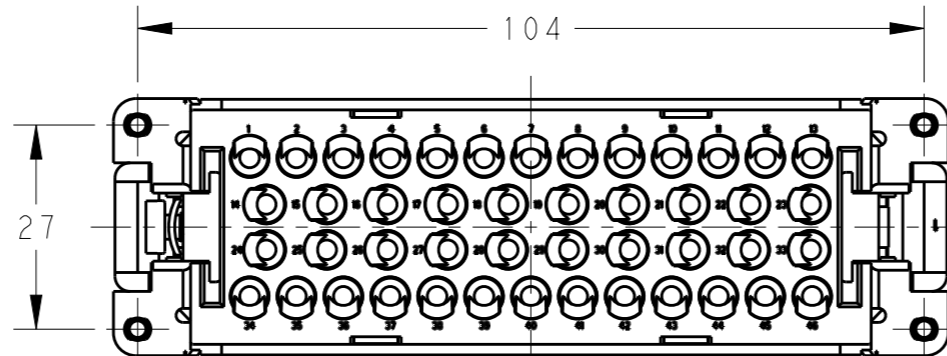
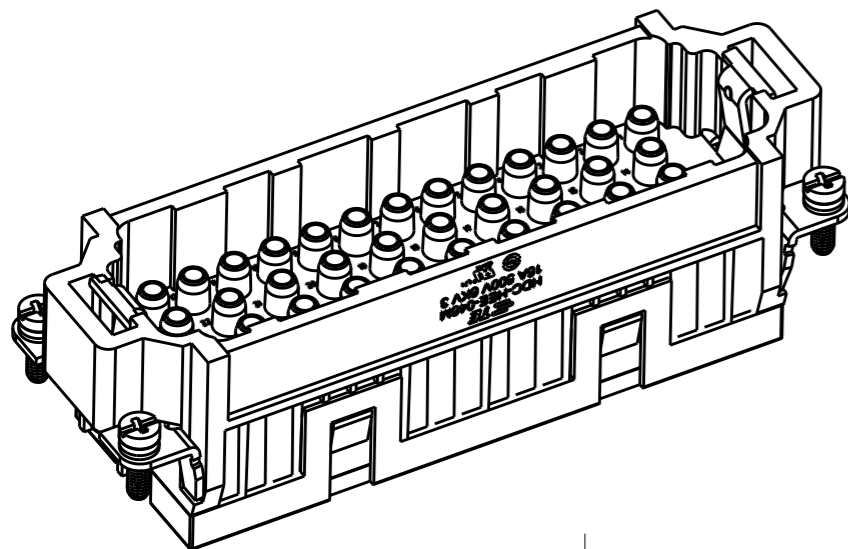


THIS DRAWING IS UNPUBLISHED. RELEASED FOR PUBLICATION 20
© COPYRIGHT 20 BY - ALL RIGHTS RESERVED.

REVISIONS

P	LTR	DESCRIPTION	DATE	DWN	APVD
A2	ECR-15-004309		18MAR2015	DW	CW
A3	ECR-15-007632		25MAY2015	DW	CW
B	ECR-15-014907		14OCT2015	DL	CW
B1	ECR-16-011987		08NOV2016	QY	CW

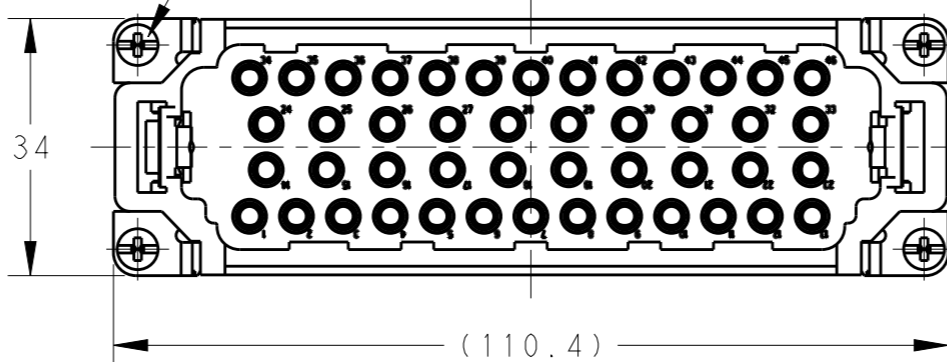


- NOTES:
- TECHNICAL CHARACTERISTICS:
INSULATION MATERIAL: PC
RATED VOLTAGE: 500 V
RATED CURRENT: 16 A
INSULATION RESISTANCE: $\geq 400M\Omega$
RATED IMPULSE VOLTAGE: 6 KV
POLLUTION DEGREE: 3
FLAMMABILITY: UL94V-0
MATING CYCLES: 500 CYCLES
OPERATION TEMPERATURE: $-40+125^{\circ}C$
WIRE RANGE: 0.14-4 mm² (26-12 AWG)
CONTACT TYPE: CRIMP CONTACT
 - CONTACT NEED TO BE ORDERED SEPARATELY.
(ORDER No. REFER TO DRAWING:T20300X10XX000)

M4 SCREW, RECOMMENDED
TIGHTENING TORQUE 1.2Nm
M4螺丝, 推荐锁紧力矩1.2Nm

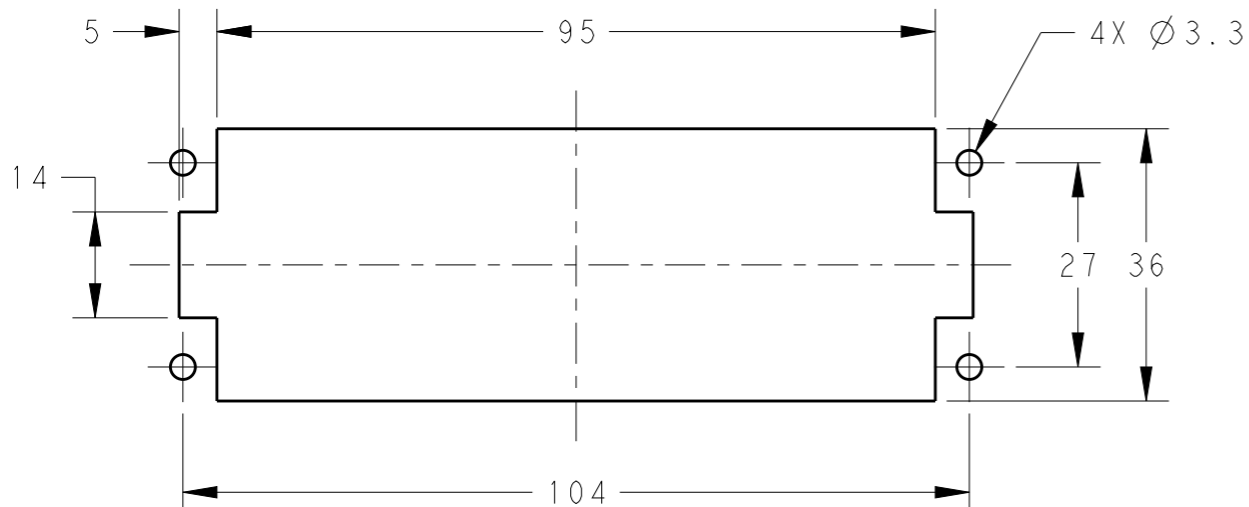
(1.2)

4X M3 SCREW, RECOMMENDED
TIGHTENING TORQUE 0.5Nm
4X M3螺丝, 推荐锁紧力矩0.5Nm




- 注释:
- 技术参数:
绝缘材料: PC
额定电压: 500V
额定电流: 16A
绝缘电阻: $\geq 400M\Omega$
额定脉冲电压: 6 KV
污染等级: 3
阻燃等级: UL94V-0
插拔次数: 500次
工作温度: $-40+125^{\circ}C$
接线范围: 0.14-4 mm² (26-12 AWG)
接线类型: 冷压接
 - 端子需要单独订购.
(订货号参考图面: T20300X10XX000)

PANEL CUT FOR INSERTS FOR USE
WITHOUT HOODS/ HOUSINGS
不使用防护外壳时芯件的安装开孔图



TYPE 1, T2050462101-000, WITH TE LOGO
类型 1, T2050462101-000, TE LOGO

THIS DRAWING IS A CONTROLLED DOCUMENT.		DWN 11JUN2014 David Wang	 TE Connectivity	
DIMENSIONS: mm		CHK 11JUN2014 Chris Wang		
TOLERANCES UNLESS OTHERWISE SPECIFIED:		APVD 11JUN2014 Xiang Xu	NAME HEE-046-M	
0 PLC ±-		PRODUCT SPEC 108-106137	RESTRICTED TO	
1 PLC ±-		APPLICATION SPEC 114-106137	SIZE A3	CAGE CODE 00779
2 PLC ±-		WEIGHT -	DRAWING NO T2050462101000	
3 PLC ±-		Customer Drawing	SCALE 1:1	SHEET 1 OF 2
4 PLC ±-				REV B1
ANGLES ±-				
FINISH -				

THIS DRAWING IS UNPUBLISHED.

RELEASED FOR PUBLICATION

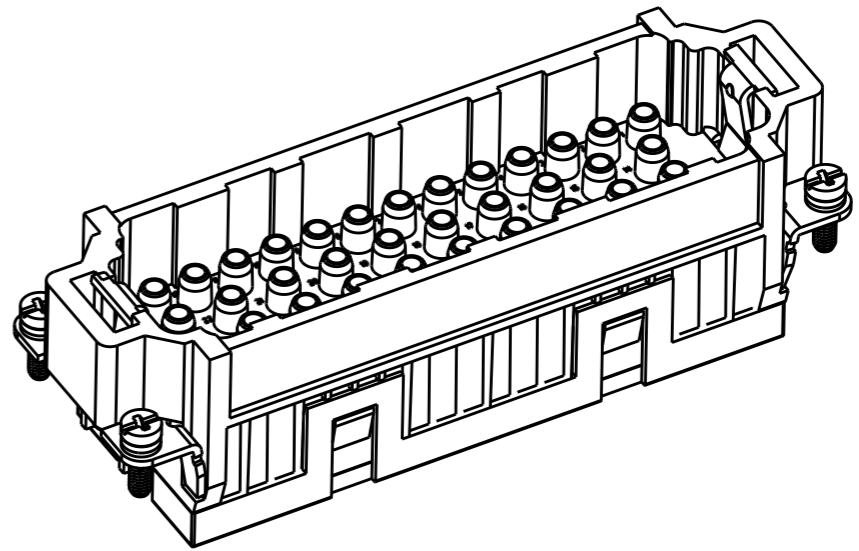
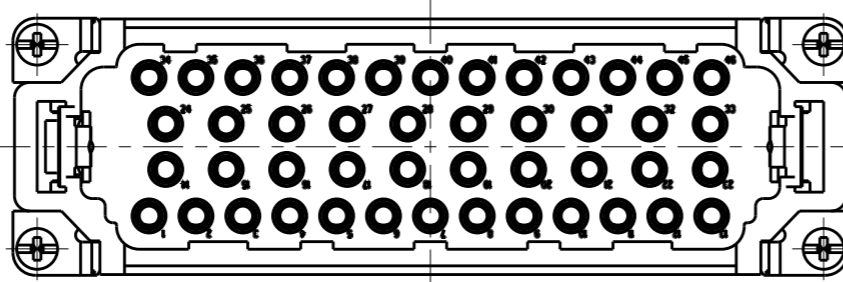
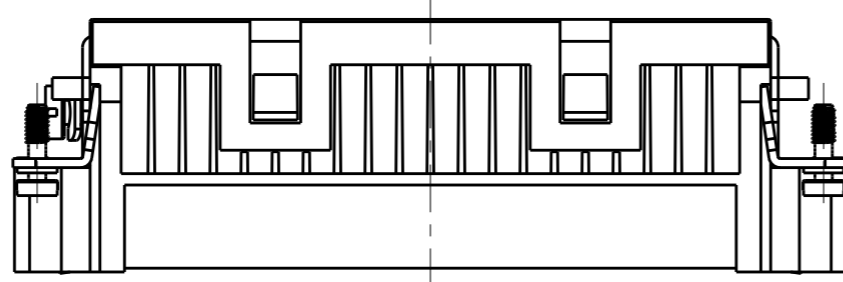
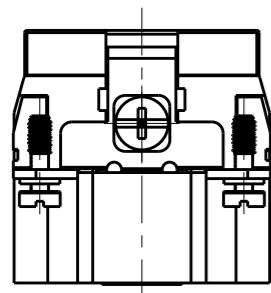
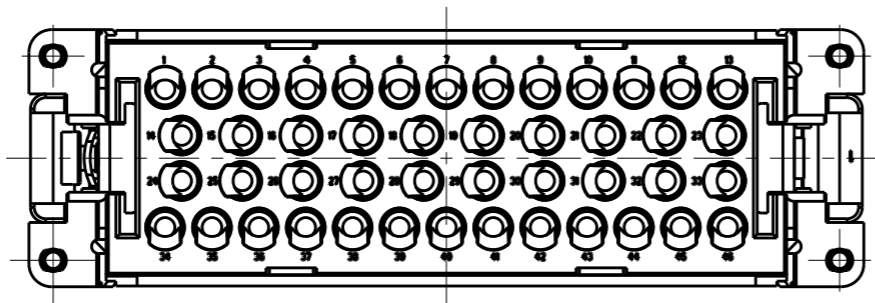
20

© COPYRIGHT 20 BY -

ALL RIGHTS RESERVED.

REVISIONS

P	LTR	DESCRIPTION	DATE	DWN	APVD
-		SEE SHEET 1	-	-	-



NOTE:
ALL SPEC REFER TO TYPE 1

注释:
所有产品规范参照 TYPE 1

TYPE-2, T2050462101-002, WITH STAINLESS STEEL SCREW, WITHOUT LOGO
类型-2, T2050462101-002, 带不锈钢螺丝, 无LOGO

T2050462101-002	HEE-046-M	HEE-046 MALE INSERT, WITH STAINLESS STEEL SCREW, WITHOUT LOGO HEE-046 公插, 带不锈钢螺丝, 无LOGO	TYPE-2 类型-2
T2050462101-000	HEE-046-M	HEE-046 MALE INSERT HEE-046 公插	TYPE-1 类型-1
PART NUMBER 料号	PART DESCRIPTION 描述		TYPE 类型

THIS DRAWING IS A CONTROLLED DOCUMENT.		DWN 11 JUN 2014 David Wang		
DIMENSIONS: mm		CHK 11 JUN 2014 Chris Wang		
TOLERANCES UNLESS OTHERWISE SPECIFIED:		APVD 11 JUN 2014 Xiang Xu	NAME HEE-046-M	
0 PLC ±-		PRODUCT SPEC 108-106137	SIZE CAGE CODE DRAWING NO RESTRICTED TO	
1 PLC ±-		APPLICATION SPEC 114-106137	A3 00779 © T2050462101000 -	
2 PLC ±-		WEIGHT -	SCALE 1:1 SHEET 2 OF 2 REV B1	
3 PLC ±-		Customer Drawing		
4 PLC ±-				
ANGLES ±-				
FINISH -				
MATERIAL -				