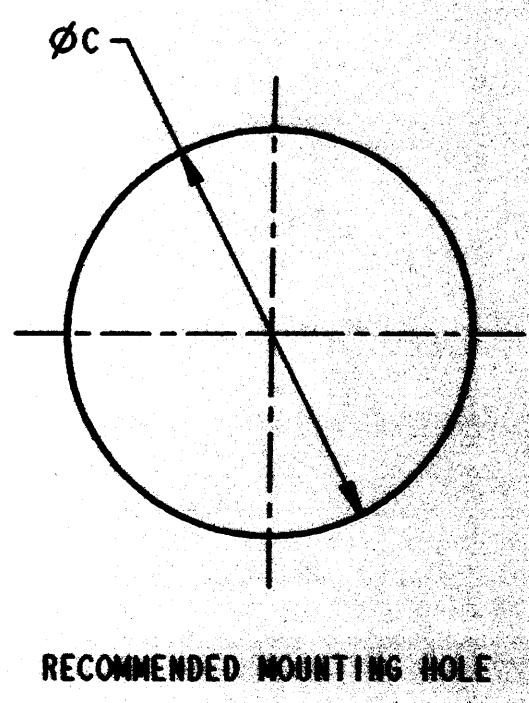
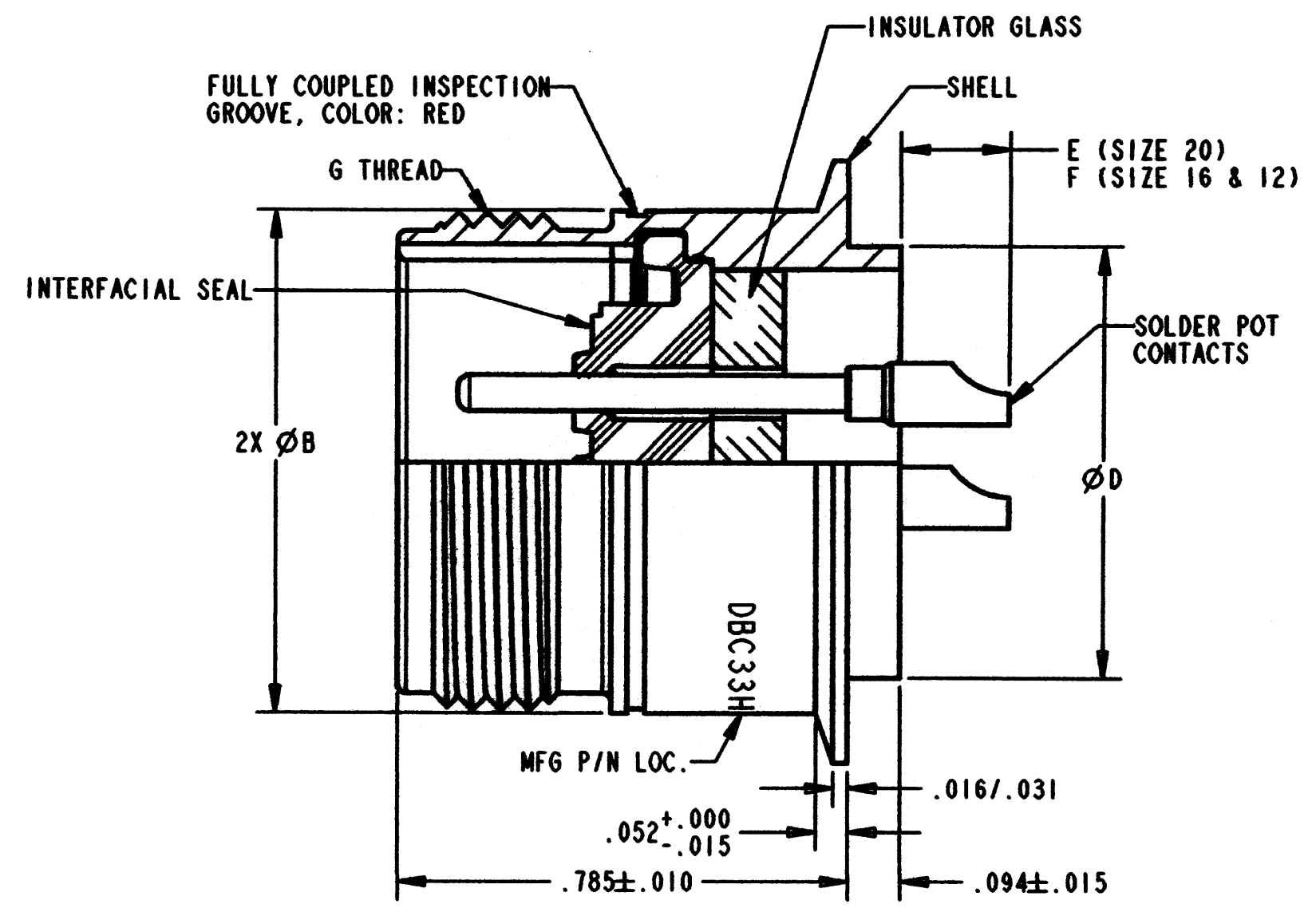
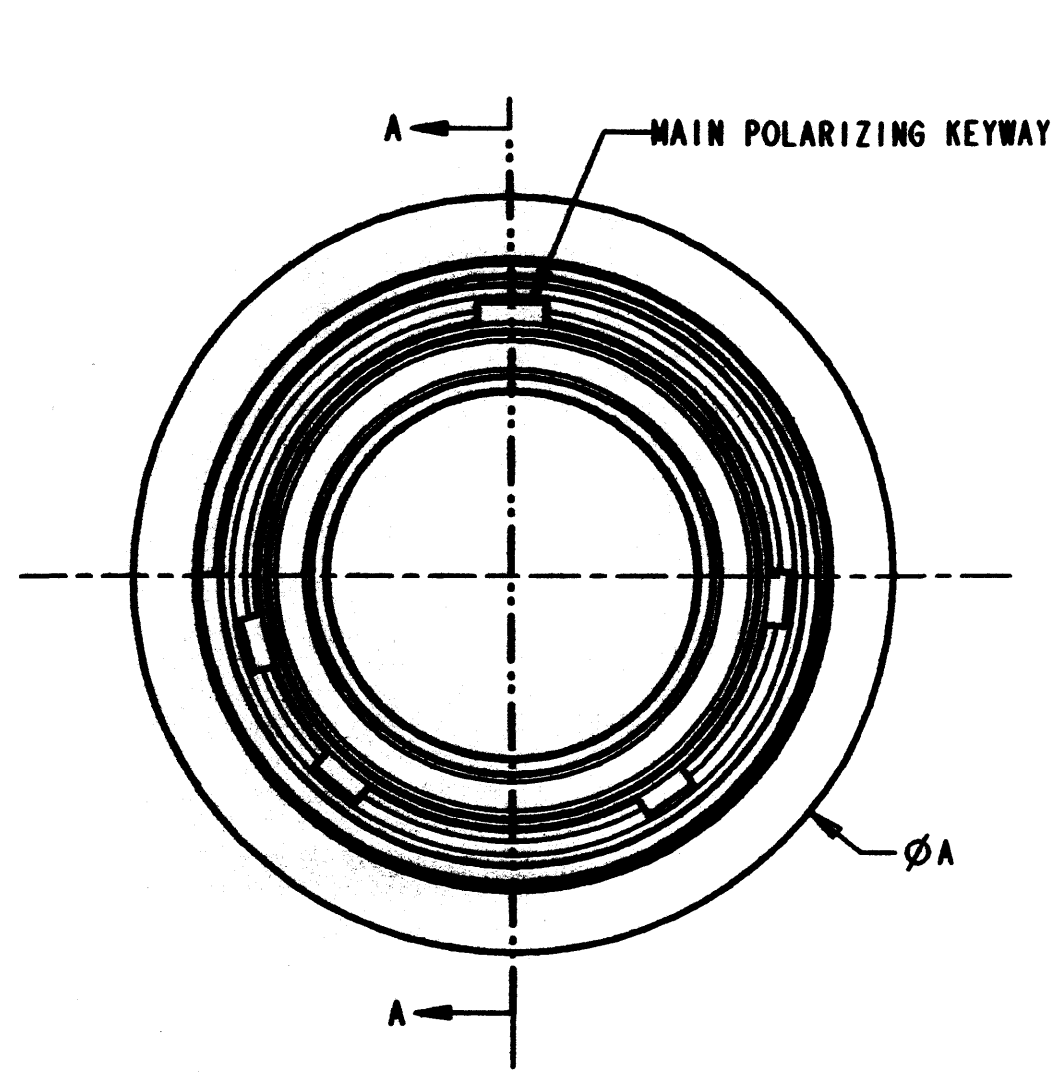


PROPERTY OF DEUTSCH E.C.D  
 THIS DRAWING CONTAINS PROPRIETARY INFORMATION THAT SHALL NOT BE DISCLOSED, DUPLICATED,  
 NOR USED IN WHOLE OR IN PART FOR ANY PURPOSE OTHER THAN TO EVALUATE THIS DRAWING.

E DBC33H-X-XP\*

REVISIONS			
REV	DESCRIPTIONS	DATE	APPROVED
C	REVISED PER E.O. 91518	3-9-83	T. HOLT
D	NEW RELEASE PER E.O. H2756	8-26-99	L. STOLLE
E	REVISED PER E.O. H2859	11-3-99	<i>[Signature]</i>



SECTION A-A

- DIMENSIONS ARE IN INCHES UNLESS OTHERWISE SPECIFIED.
  - INSERT ARRANGEMENT PER MIL-STD-1554
  - LEAK RATE:  $< 1 \times 10^{-8}$  cc/sec He @ 1 atm.
  - ELECTRICAL REQUIREMENTS MEET MIL-C-83723 SERIES III.
  - MATERIAL:  
 SHELL - C1215 COLD ROLLED STEEL  
 INSULATOR - COMPRESSION GLASS INSERT  
 CONTACT - 52 HIGH NICKEL-IRON ALLOY  
 INTERFACIAL SEAL - FLUOROSILICONE ELASTOMER
  - FINISH:  
 SHELL - TIN OVER NICKEL PLATED  
 CONTACT - GOLD OVER NICKEL PLATED
  - MATES WITH DBA36-\*-S\*. CONSULT FACTORY FOR INSERT ARRANGEMENT.
  - MIL-C-83723 SERIES III CONNECTORS ARE INTERCHANGEABLE WITH INACTIVE MIL-C-26500.
9. CONSULT FACTORY FOR AVAILABILITY.

NOTE(S):

SHELL SIZE	PART NO.	A $\pm .010$	B MAX.	C $\pm .005$	$\phi D^{+.002}_{-.004}$	E $\pm .030$	F $\pm .030$	G THREAD 2A
8	DBC33H-8-*P*	.713	.562	.510	.499	.164	.194	.5625-24 UNEF
10	DBC33H-10-*P*	.840	.696	.572	.561	.164	.194	.6875-24 UNEF
12	DBC33H-12-*P*	1.045	.875	.760	.749	.164	.194	.8750-20 UNEF
14	DBC33H-14-*P*	1.090	.936	.822	.811	.164	.194	.9375-20 UNEF
16	DBC33H-16-*P*	1.210	1.062	.947	.936	.164	.194	1.0625-18 UNEF
18	DBC33H-18-*P*	1.340	1.187	1.072	1.061	.164	.194	1.1875-18 UNEF
20	DBC33H-20-*P*	1.465	1.312	1.197	1.186	.164	.194	1.3120-18 UNEF
22	DBC33H-22-*P*	1.590	1.437	1.322	1.311	.164	.194	1.4375-18 UNEF
24	DBC33H-24-*P*	1.710	1.562	1.447	1.436	.164	.194	1.5625-18 UNEF

SIGNATURE & DATE	DR F. BAUTISTA 7-8-99
CHK	L. STOLLE 8-26-99
PE	J. AGUILERA 8-26-99
APPD	J. AGUILERA 8-26-99
SCALE:	4.000

RECEPTACLE, CONNECTOR  
 THREADED COUPLING  
 SOLDER MOUNT  
 MIL-C-83723 SERIES III  
 HERMETIC  
 ENVELOPE

FILE: DBC33H-X-XPX-ENV-SMAP

CP	MATL CODE 74
<b>DEUTSCH</b> HERMETIC PRODUCTS OPERATION 250 Eddie Jones Way Oceanside, CA 92054	
C	DBC33H-X-XP*
DWG SIZE	CAGE CODE 11139 SHEET 1 OF 1