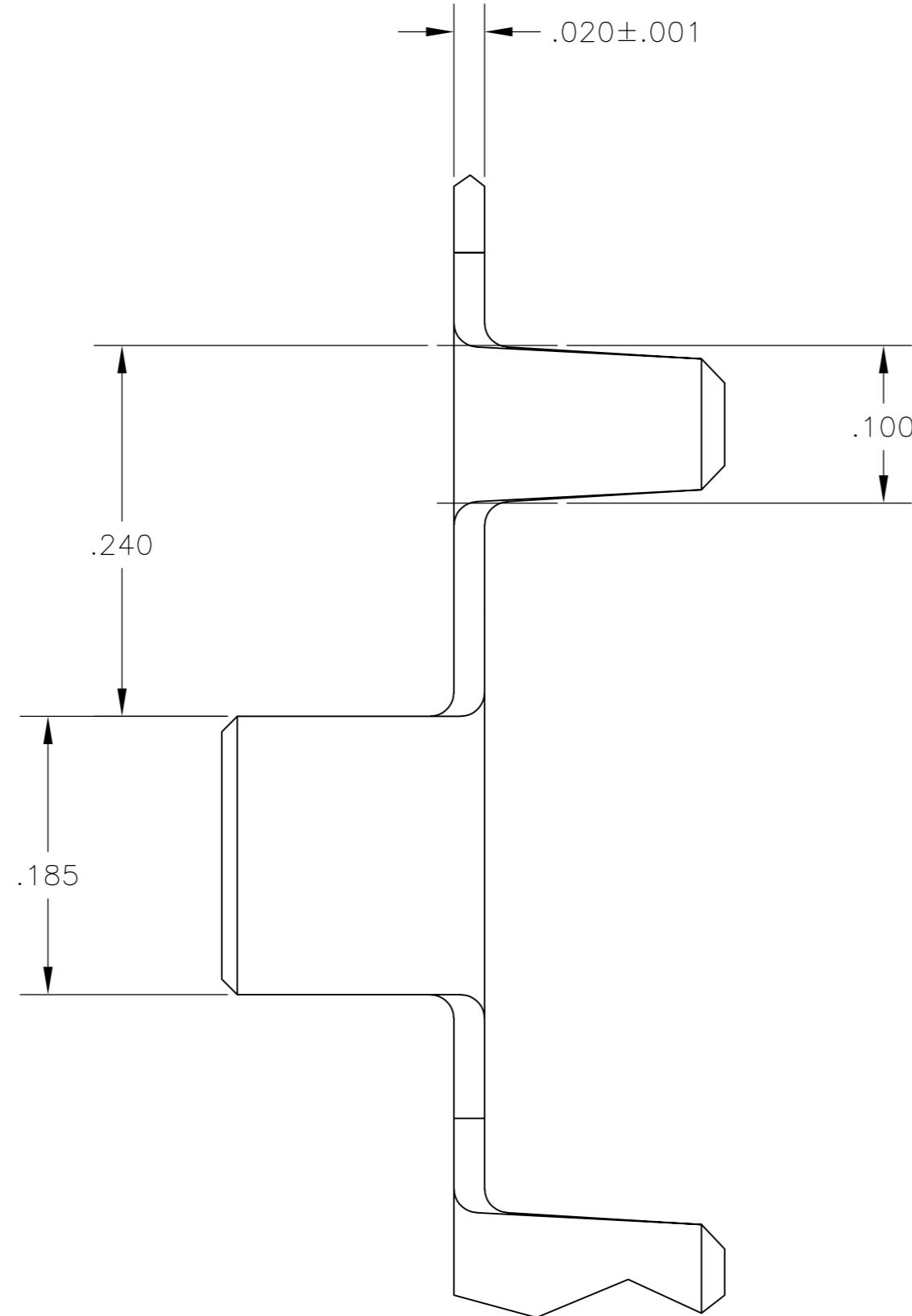
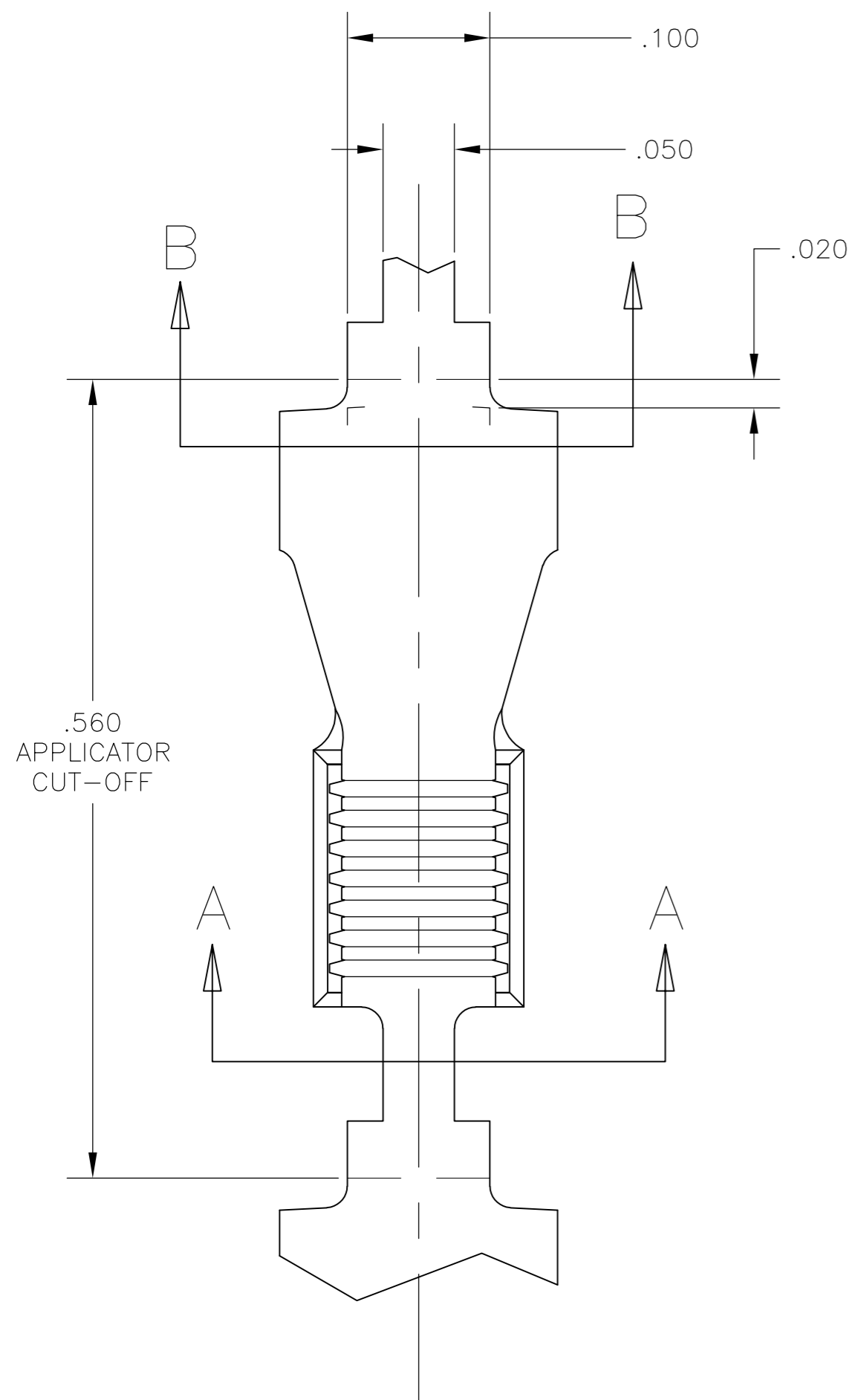
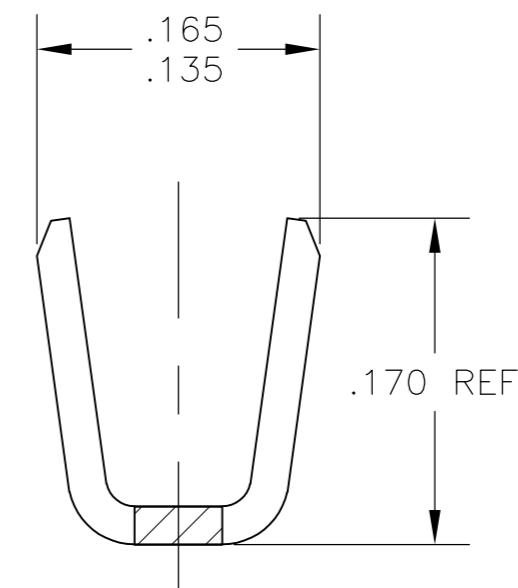


THIS DRAWING IS UNPUBLISHED. RELEASED FOR PUBLICATION
 © COPYRIGHT - By - ALL RIGHTS RESERVED.

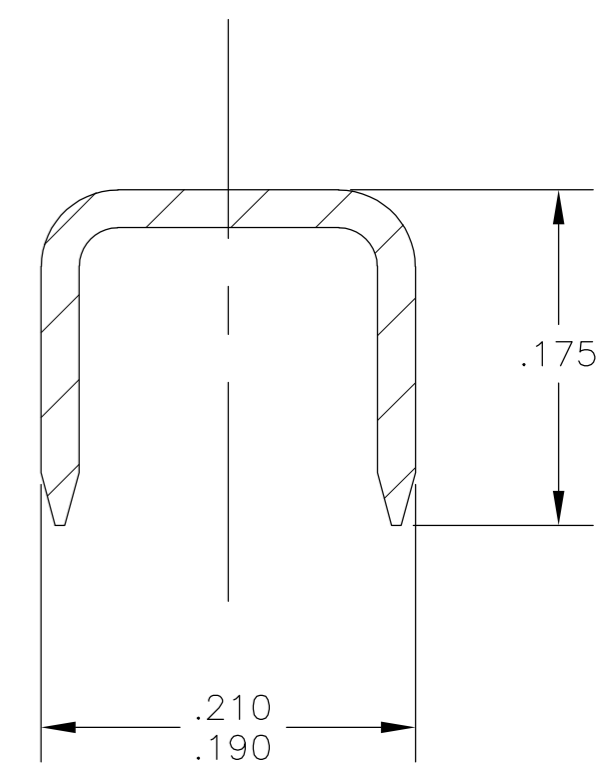
LOC		DIST		REVISIONS			
P	LTR	DESCRIPTION		DATE	DWN	APVD	
AF	14	B		REVISE PER ECR -13-003819	06JAN13	GRZ	DZ



- 1 PRODUCT PROVIDED IN STRIP FORM ON REELS; BREAKS MAY BE PRESENT.
- 2 WIRE RANGE: 3000-6000 CMA.
- 3 BOARD THICKNESS: .062
- 4 BOARD HOLE SIZE: .110±.005 X .215±.005.
- 5 PRELIMINARY - NOT FOR PRODUCTION.



SECTION A-A



SECTION B-B

REVERSE	1742324-2
STANDARD	5 1742324-1
REELING	PART NUMBER

THIS DRAWING IS A CONTROLLED DOCUMENT.		DWN	M.S. FEHER	25JUL2005
DIMENSIONS: INCHES		CHK	G.D. PORTA	27JUL2005
TOLERANCES UNLESS OTHERWISE SPECIFIED:		APVD	G.D. PORTA	27JUL2005
0 PLC ± -		NAME		
1 PLC ± -		G.D. PORTA		
2 PLC ± -		PRODUCT SPEC		
3 PLC ± .010		APPLICATION SPEC		
4 PLC ± -		-		
ANGLES ± 1°		SIZE	A2	00779
MATERIAL	BRASS	CAGE CODE	C=1742324	DRAWING NO
FINISH	TIN PLATE	WEIGHT	-	RESTRICTED TO
CUSTOMER DRAWING		SCALE	8:1	SHEET 1 of 1
		REV	B	



SPLICE, AMPLIVAR STAKING, SEVEN (7) SERRATIONS

1742324