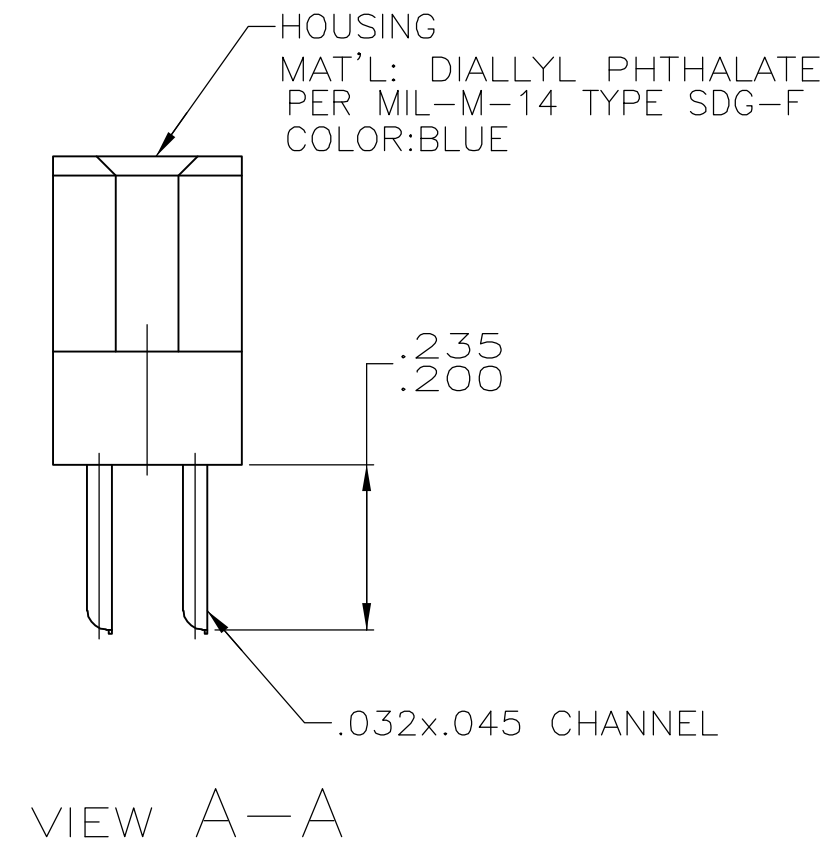
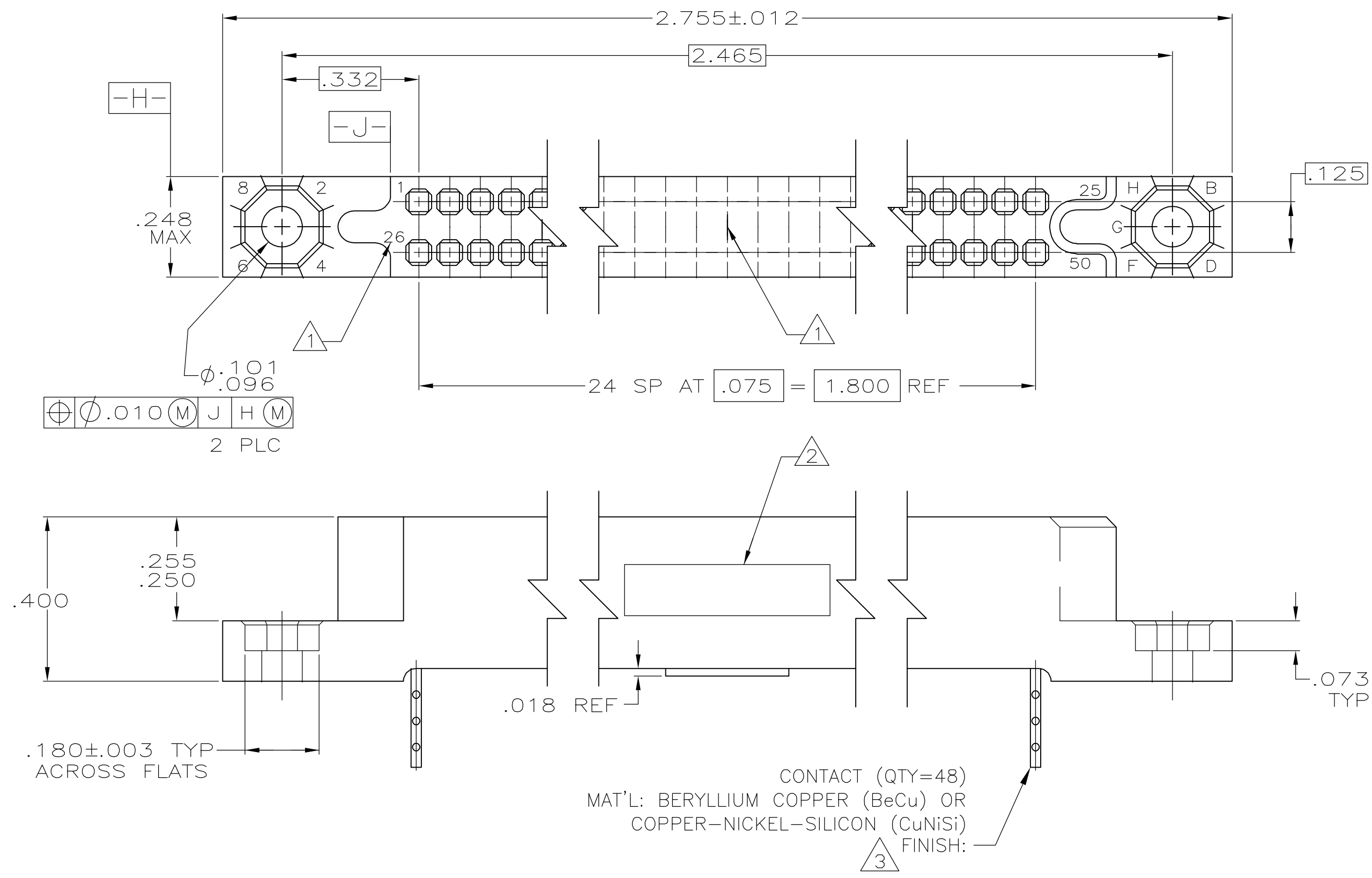


THIS DRAWING IS UNPUBLISHED. RELEASED FOR PUBLICATION
 © COPYRIGHT BY TYCO ELECTRONICS CORPORATION. ALL RIGHTS RESERVED.

| LOC | | DIST | | REVISIONS | | | |
|-----|-----|-----------------------|--|-----------|-----|------|--|
| P | LTR | DESCRIPTION | | DATE | DWN | APVD | |
| | N | REV PER ECO 05-013554 | | 16NOV05 | VF | CT | |



CONTACT (QTY=48)
 MAT'L: BERYLLIUM COPPER (BeCu) OR
 COPPER-NICKEL-SILICON (CuNiSi)
 FINISH: 3

- 1 NUMBERS AND LINES, INDICATING EVERY FIVE CAVITIES, MOLDED OR MARKED ON MATING FACE.
- 2 CUSTOMER PART NO.,AMP,DATE CODE AND AMP PART NO. MARKED IN THIS AREA.
- 3 CONTACT FINISH: .000030 MIN GOLD IN CONTACT ENGAGEMENT AREA. .000100 MIN TIN-LEAD ON TAILS, OVER .000030 MIN NICKEL ON ENTIRE CONTACT.
- 4 CAVITY DRILLED FOR KEYING, WILL ACCEPT KEYING PIN ON MATING CONNECTOR. SEE TABLE FOR LOCATION.

| | | | | |
|----------|---------|---------------|----|------------|
| OBSOLETE | 11 & 50 | C141-004-2205 | 50 | 1-583514-8 |
| OBSOLETE | 5 & 41 | C141-004-2202 | 50 | 1-583514-7 |
| OBSOLETE | 25 & 45 | C141-004-2210 | 50 | 1-583514-6 |
| OBSOLETE | 20 & 37 | C141-004-2209 | 50 | 1-583514-5 |
| OBSOLETE | 19 & 27 | C141-004-2208 | 50 | 1-583514-4 |
| | 14 & 36 | C141-004-2207 | 50 | 1-583514-3 |
| OBSOLETE | 13 & 28 | C141-004-2206 | 50 | 1-583514-2 |
| OBSOLETE | 8 & 46 | C141-004-2204 | 50 | 1-583514-1 |
| OBSOLETE | 7 & 39 | C141-004-2203 | 50 | 1-583514-0 |
| OBSOLETE | 2 & 32 | C141-004-2201 | 50 | 583514-9 |
| OBSOLETE | 17 & 32 | C141-004-2224 | 50 | 583514-8 |
| | 16 & 34 | C141-004-2223 | 50 | 583514-7 |
| | 8 & 43 | C141-004-2222 | 50 | 583514-6 |
| OBSOLETE | 6 & 39 | C141-004-2221 | 50 | 583514-5 |
| OBSOLETE | 4 & 19 | C141-004-2214 | 50 | 583514-4 |
| OBSOLETE | 9 & 17 | C141-004-2212 | 50 | 583514-3 |
| OBSOLETE | 7 & 19 | C141-004-2217 | 50 | 583514-2 |
| OBSOLETE | 4 & 22 | C141-004-2211 | 50 | 583514-1 |

| LOCATION OF KEYING HOLES 4 | CUSTOMER MARKING 2 | NO OF POSN | ASSEMBLY NUMBER |
|--|--|------------|-----------------|
|--|--|------------|-----------------|

THIS DRAWING IS A CONTROLLED DOCUMENT.

| | | |
|------------------|------------|---------|
| DWN | C.C.THOMAS | 1-13-97 |
| CHK | D.MILLER | 2-7-97 |
| APVD | D.MILLER | 2-7-97 |
| PRODUCT SPEC | | |
| APPLICATION SPEC | | |
| WEIGHT | | |

tyco Tyco Electronics Corporation
 Harrisburg, PA 17105-3608

NAME: BOX RCPT ASSY,.075
 WITH

| | | | |
|------|-----------|------------|---------------|
| SIZE | CAGE CODE | DRAWING NO | RESTRICTED TO |
| A2 | 00779 | C=583514 | |

CUSTOMER DRAWING SCALE 4:1 SHEET 1 of 1 REV N