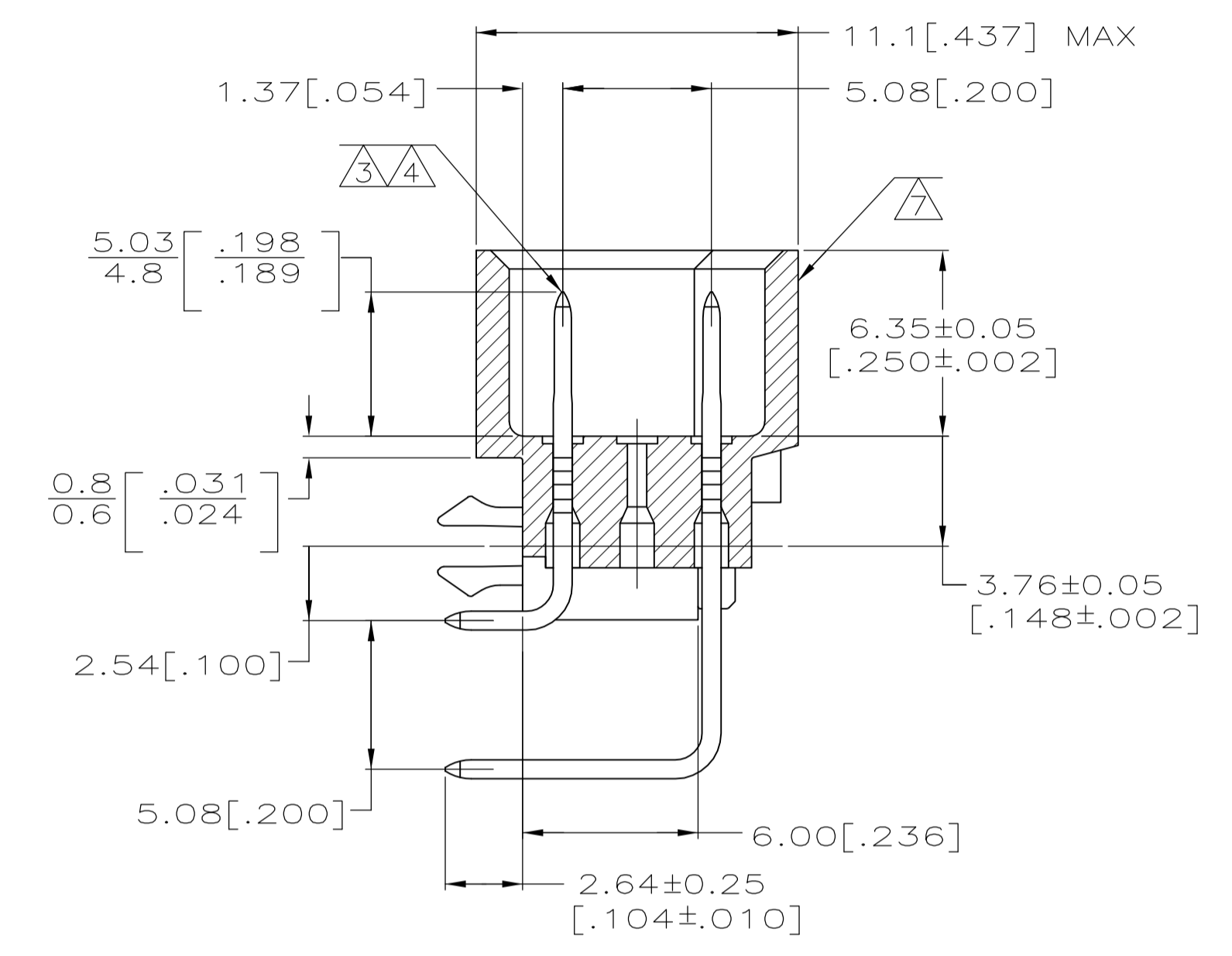
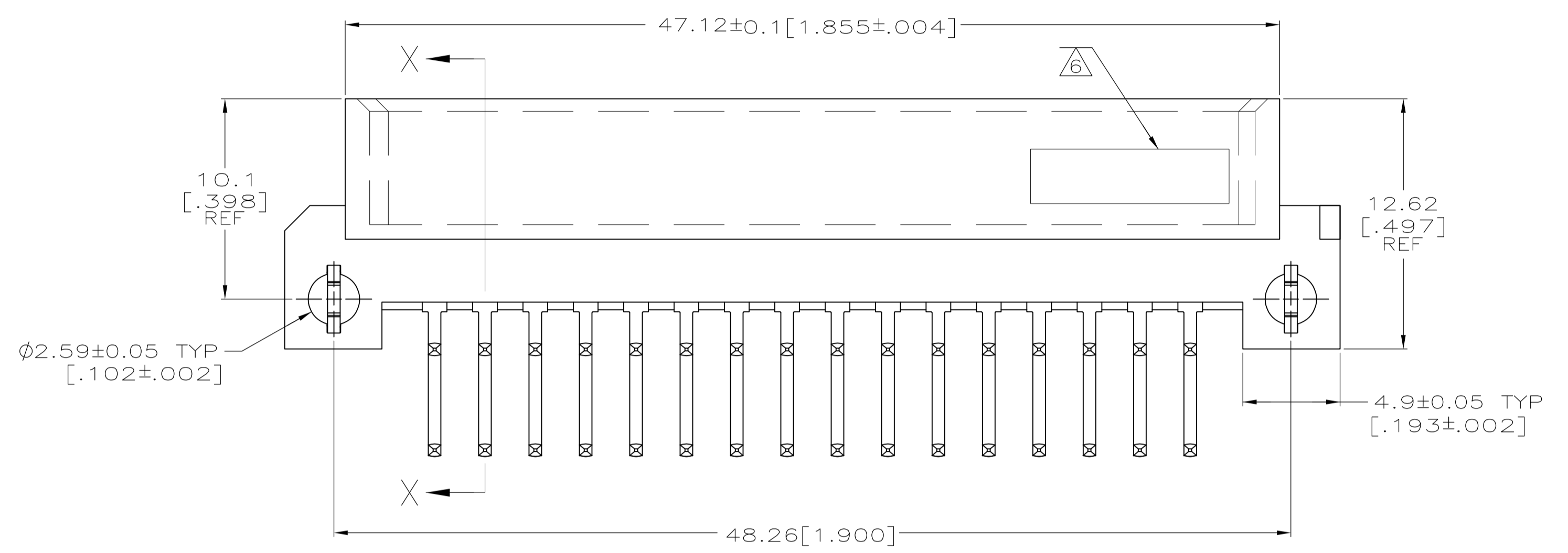
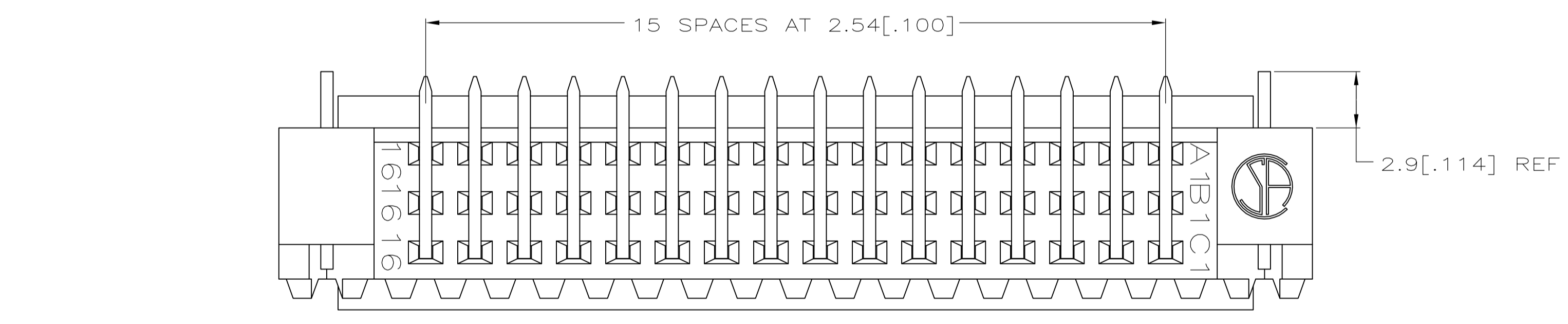


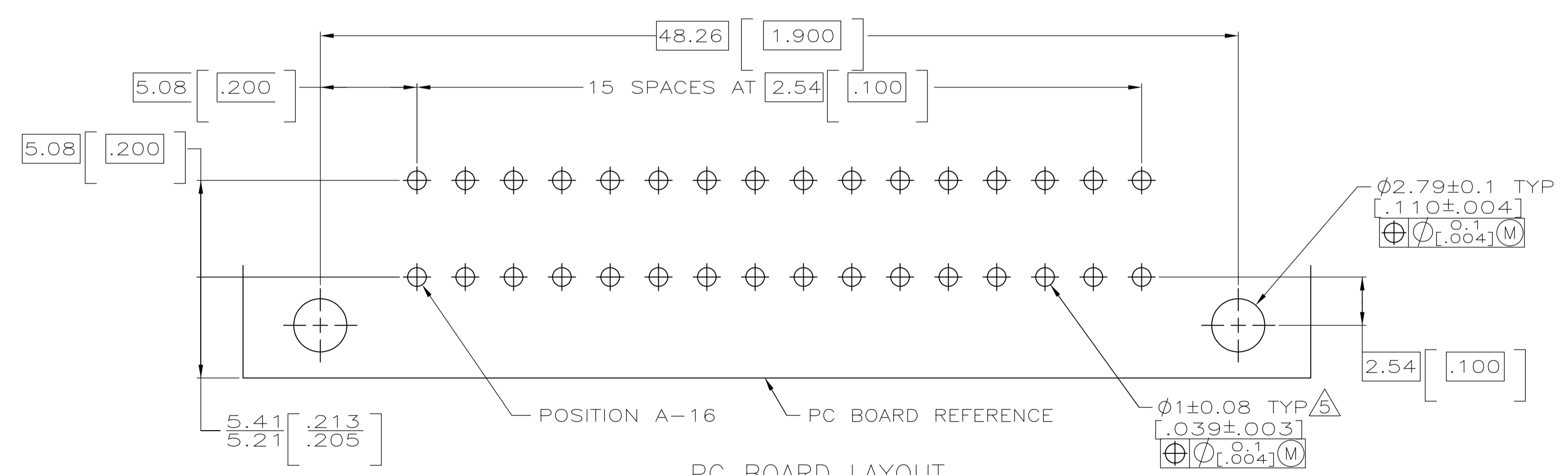
- 1 HOUSING MATERIAL: GLASS-FILLED POLYESTER. COLOR: GRAY.
- 2 POST MATERIAL: BRASS.
- 3 POST FINISH: DIN 41612 CLASS 3 IN CONTACT AREA. TIN-LEAD PLATE ON POSTS.
- 4 POST FINISH: DIN 41612 CLASS 2 IN CONTACT AREA. TIN-LEAD PLATE ON POSTS.
- 5 RECOMMENDED HOLE SIZE FOR MANUAL APPLICATION OF CONNECTOR ONTO PC BOARD.
- 6 PART NUMBER, DATE CODE MARKED THIS APPROXIMATE AREA.
- 7 MARKING ON THIS SIDE.



SECTION X-X



REFERENCE FAMILY DRAWING 650473 FOR ALL TYPE C HEADER OFFERINGS



PC BOARD LAYOUT  
RECOMMENDED PC BOARD THICKNESS 1.57 [.062]

OBSOLETE	3	1-16	X	-	X	32	650978-9
	4	1-16	X	-	X	32	650978-5
NOTES	POSITIONS LOADED	C	B	A	NO. OF LOADED POSITION	ASSY PART NUMBER	

THIS DRAWING IS A CONTROLLED DOCUMENT.

DIMENSIONS: INCHES	TOLERANCES UNLESS OTHERWISE SPECIFIED:	DIN L. BRINER 5/21/91	STE TE Connectivity
0 PLC ± -	1 PLC ± -	CHK: D.C. RUBENDALL 5/22/91	
2 PLC ± -	3 PLC ± 0.13[.005]	APVD: D.C. RUBENDALL 5/22/91	NAME: PIN ASSEMBLY, EUROCARD, TYPE 1/2C WITH BOARD LOCKS
4 PLC ± -	ANGLES ± -	APPLICATION SPEC	SIZE: A1
MATERIAL HOUSING: 1	FINISH: 3/4	WEIGHT: -	CAGE CODE: 00779
POST: 1		CUSTOMER DRAWING	DRAWING NO: 650978

SCALE: 5:1 SHEET 1 OF 1 REV. H