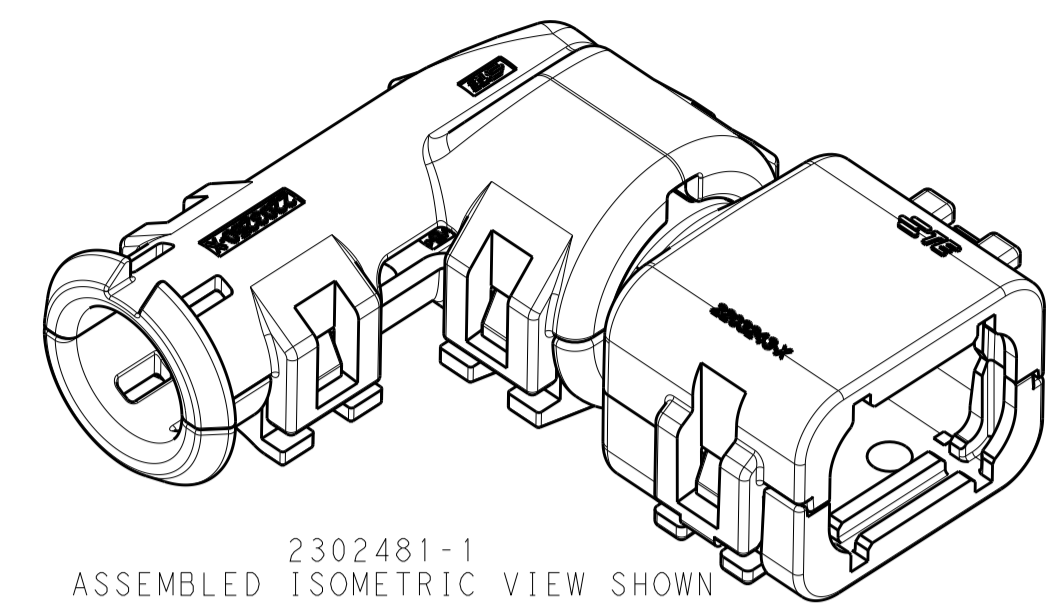
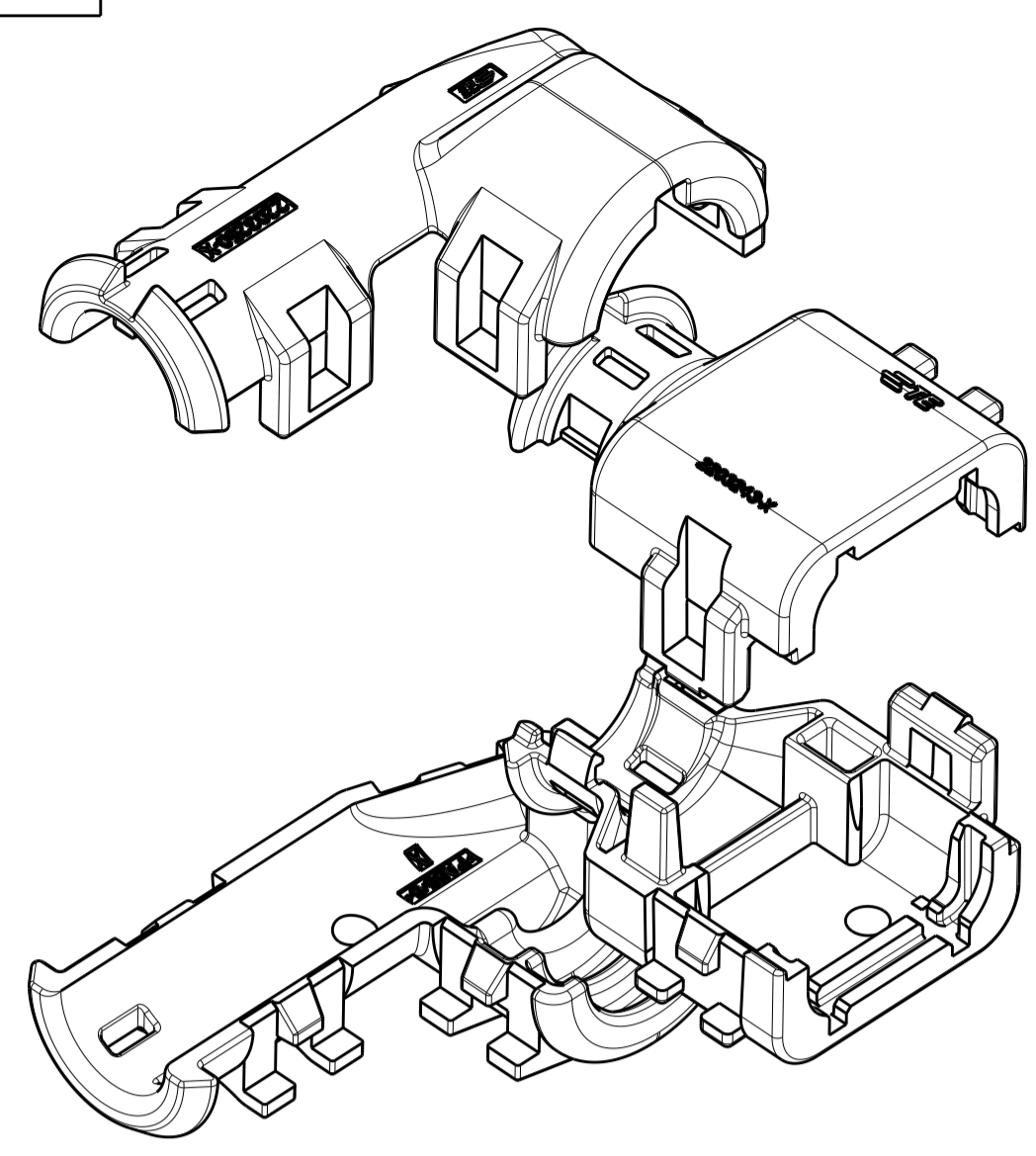


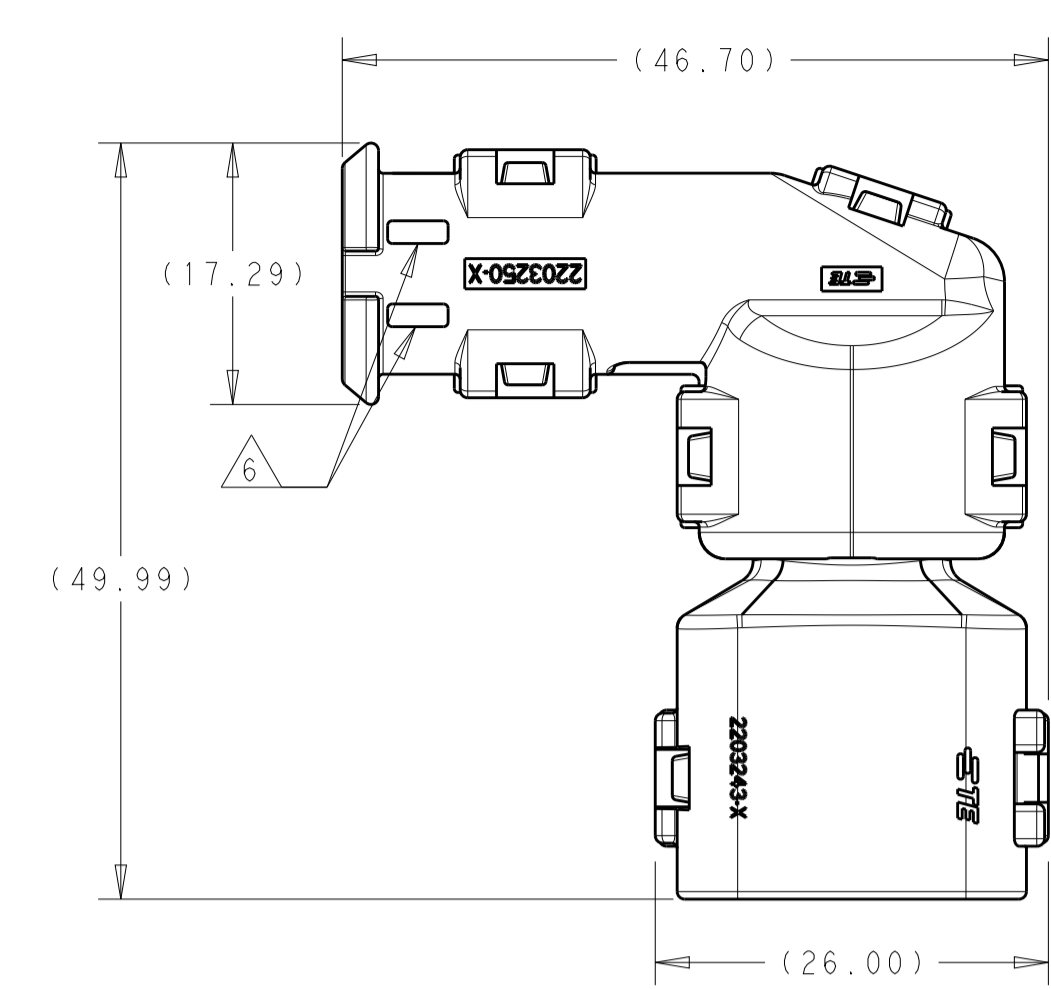
| REVISIONS | | | | | |
|-----------|-----|----------------------------|-----------|-----|------|
| P. | LTN | DESCRIPTION | DATE | DMN | APVD |
| A | | RELEASED PER ECO-16-007279 | 12MAY2016 | JM | RB |
| A2 | | REV PER ECO-16-013256 | 08SEP2016 | JM | RB |



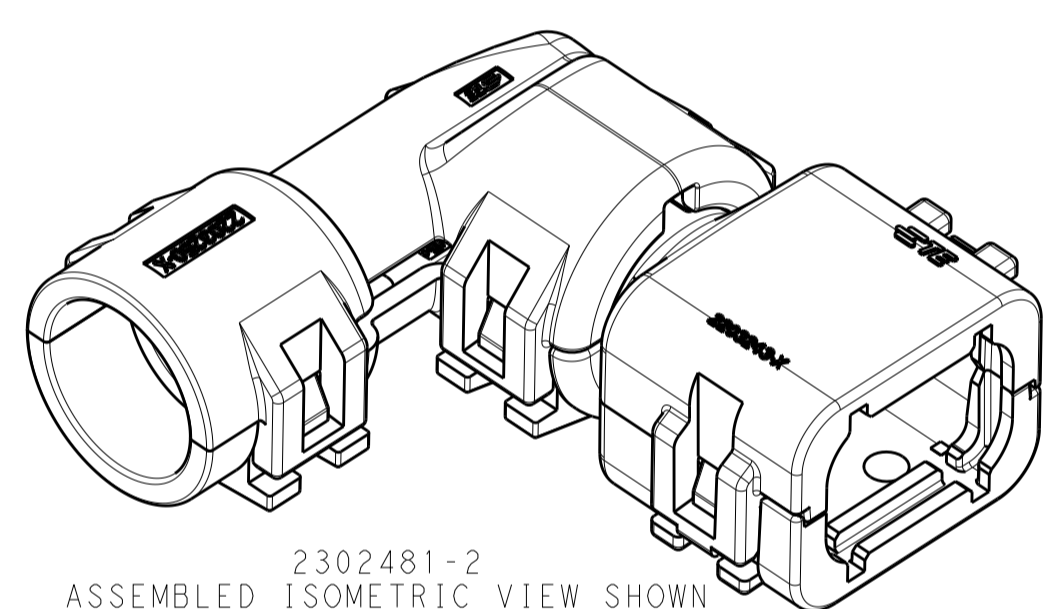
2302481-1
ASSEMBLED ISOMETRIC VIEW SHOWN



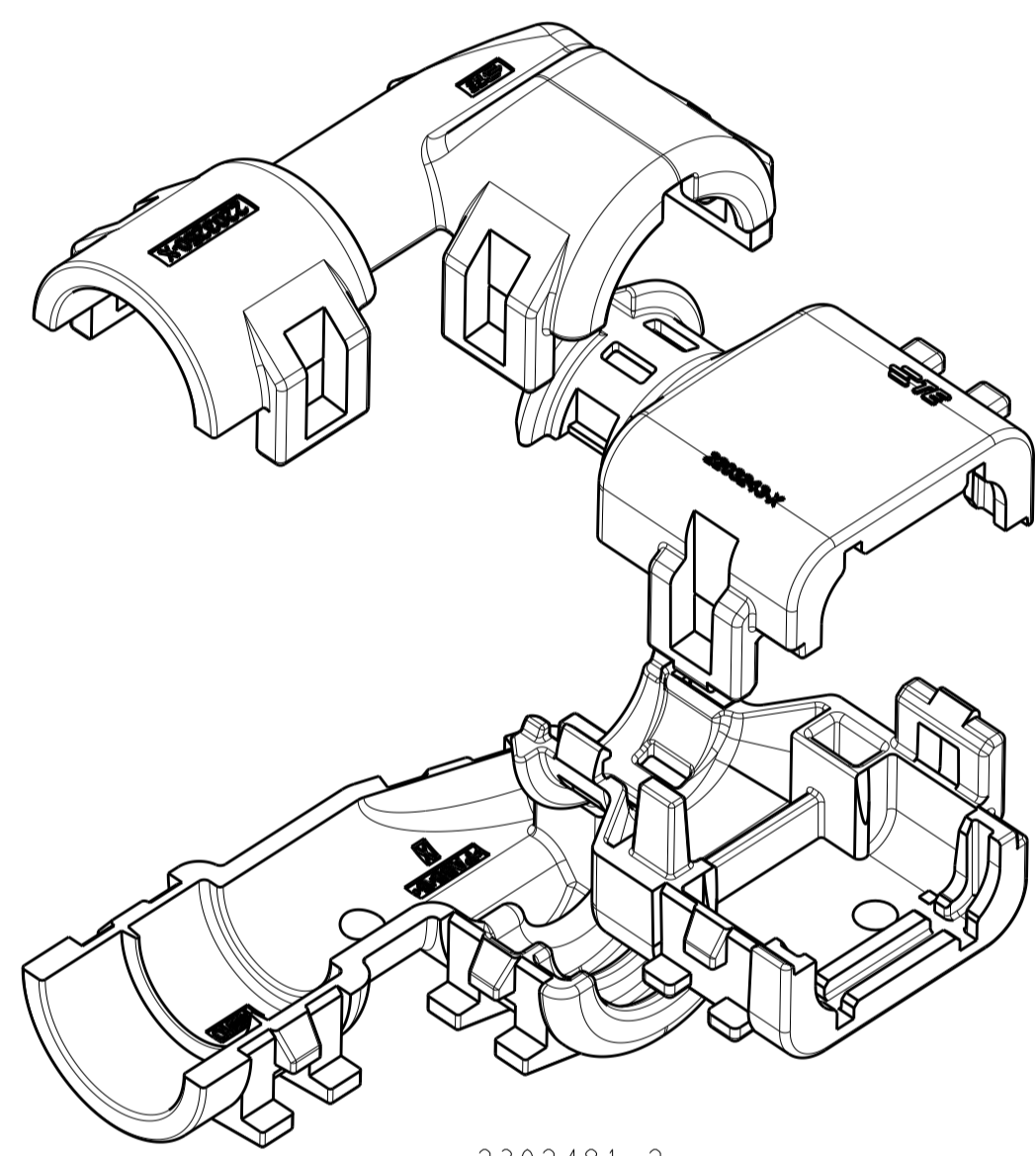
2302481-1
EXPLODED ISOMETRIC VIEW SHOWN



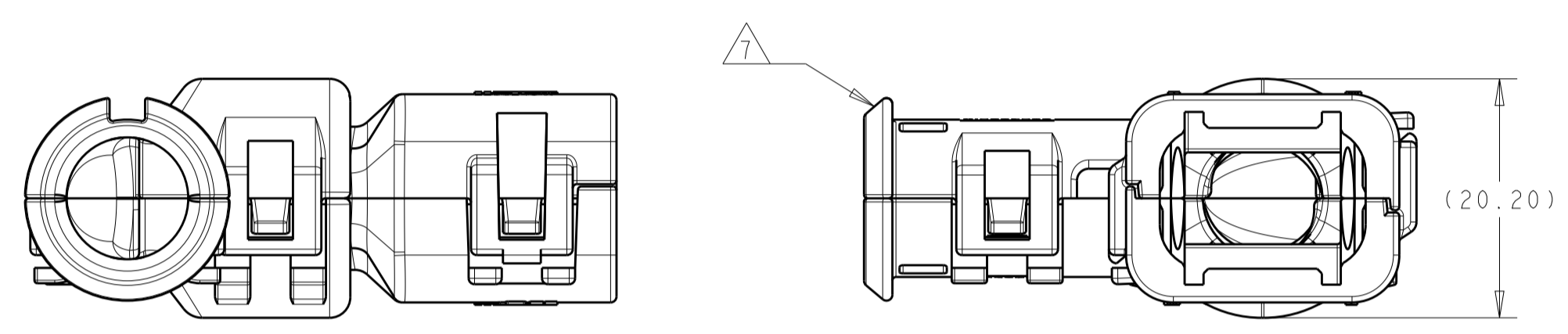
- 1 MATERIAL: NYLON MOLDING COMPOUND, BLACK, PA66/6.
- 2 BACKSHELL DESIGNED SUCH THAT TWO HALVES ATTACH TO ONE ANOTHER AND CLAMP AROUND THE CONNECTOR COVER.
- 3 ELBOW DESIGNED SUCH THAT TWO HALVES ATTACH TO ONE ANOTHER AND CLAMP AROUND THE BACKSHELL COLLAR.
- 4 DIMENSIONS TO BE MEASURED WHEN ELBOWS AND BACKSHELLS ASSEMBLED.
- 5 PRODUCT WEIGHTS:
 2302481-1: 9.45g ASSEMBLED
 2302481-2: 10.10g ASSEMBLED
 2302481-3: 9.55g ASSEMBLED
- 6 4mm WIDE SLOTS FOR TIE WRAP TO SECURE HARNESS WIRES (-1 ONLY).
- 7 HEAT SHRINK TUBING FEATURE (-1 AND -3 ONLY).
- 8. INSTRUCTION SHEET: 408-151043.
- 9. CONDUIT PROFILE: NORMAL ONLY.



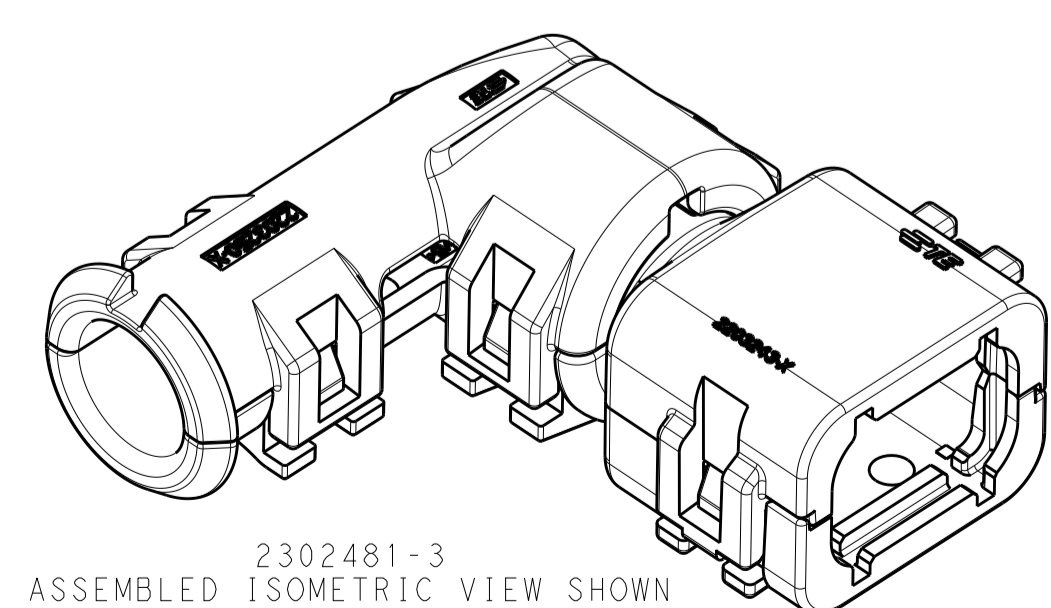
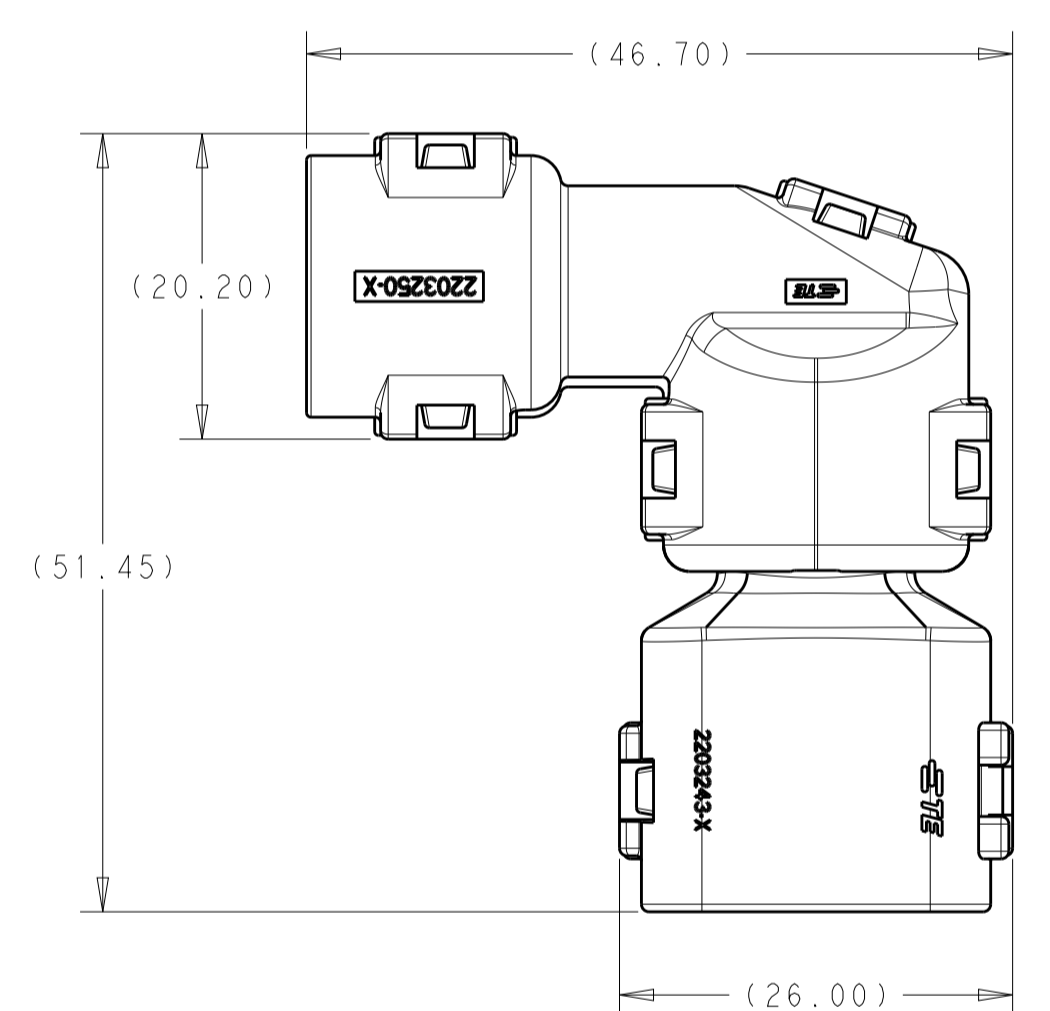
2302481-2
ASSEMBLED ISOMETRIC VIEW SHOWN



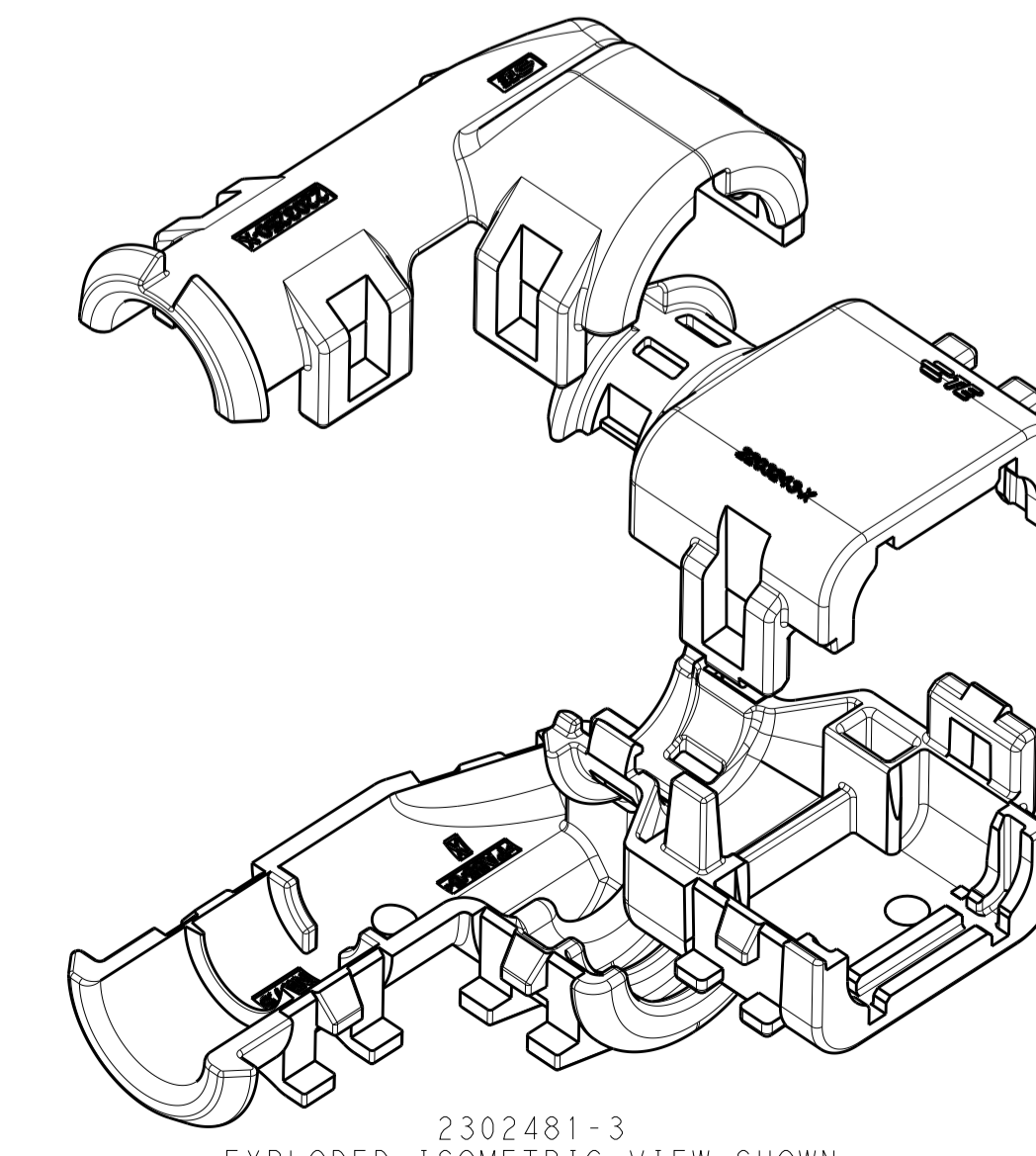
2302481-2
EXPLODED ISOMETRIC VIEW SHOWN



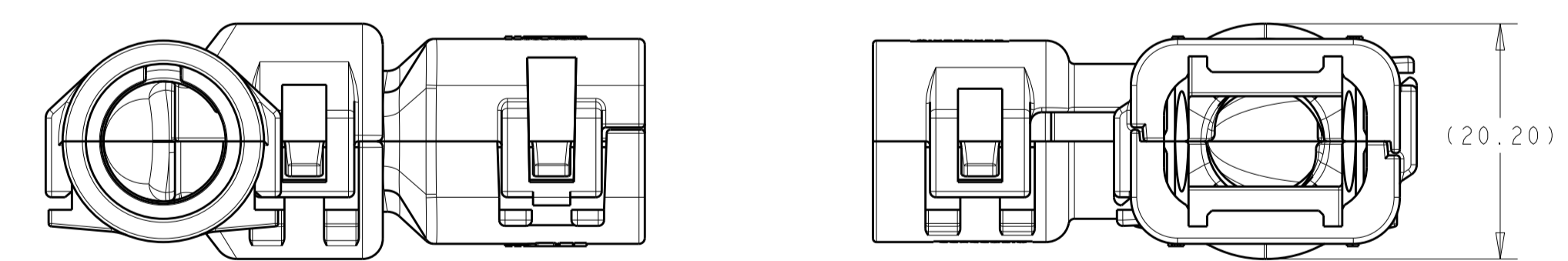
2302481-1
ASSEMBLED VIEW SHOWN
DIMENSIONS SHOWN TYPICAL FOR 2302481-1 AND -3



2302481-3
ASSEMBLED ISOMETRIC VIEW SHOWN



2302481-3
EXPLODED ISOMETRIC VIEW SHOWN



2302481-2
ASSEMBLED VIEW SHOWN
DIMENSIONS SHOWN FOR 2302481-2 ONLY

| | | | |
|------------------|--------------|--------------|-------------|
| 776428-X | NC08 | NW7.5 | 2302481-3 |
| 776534-X | NC12 | NW10 | 2302481-2 |
| | SMOOTH | SMOOTH | 2302481-1 |
| FITS ON CAP ASSY | CORRUGATE NC | CORRUGATE NW | PART NUMBER |
| | CONDUIT SIZE | | |

THIS DRAWING IS A CONTROLLED DOCUMENT.

| | | | | | |
|-------------|---|------------------------|------------------------|-------------------------|---|
| DIMENSIONS: | TOLERANCES UNLESS OTHERWISE SPECIFIED: | DMN J MCNEAL 26APR2016 | CHK R BALTER 26APR2016 | APVD R BALTER 26APR2016 | NAME |
| mm | 0 PLC ± 1 PLC ± 2 PLC ± 3 PLC ± 4 PLC ± | | | | BACKSHELL AND ELBOW KIT, 2 POSITION CAP ASSEMBLY, AMPSEAL 16 |
| | ANGLES ± | FINISH | WEIGHT | SIZE | CAGE CODE |
| MATERIAL | | | | A100779 | C=2302481 |
| | | | | CUSTOMER DRAWING | SCALE 2:1 SHEET 1 OF 1 REV A2 |