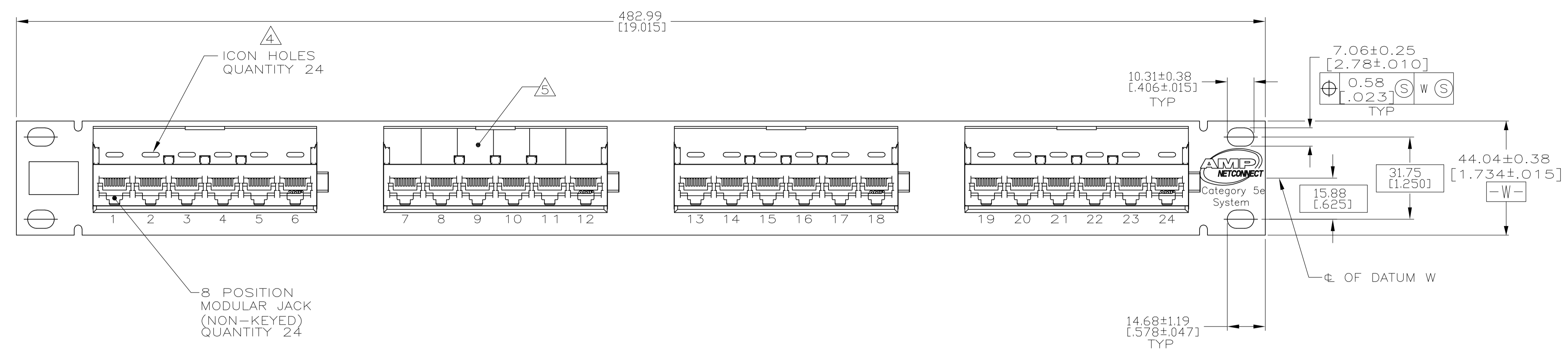
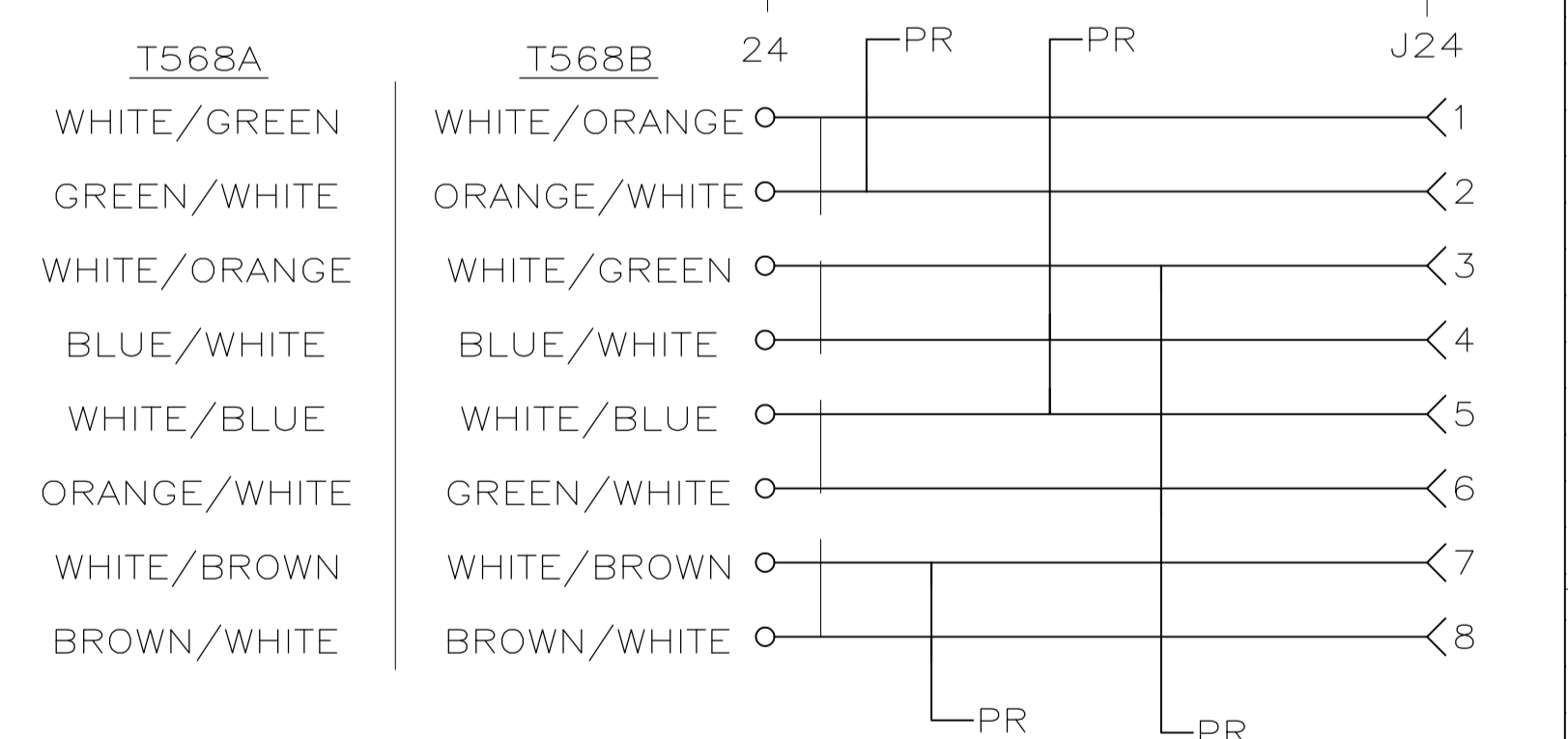
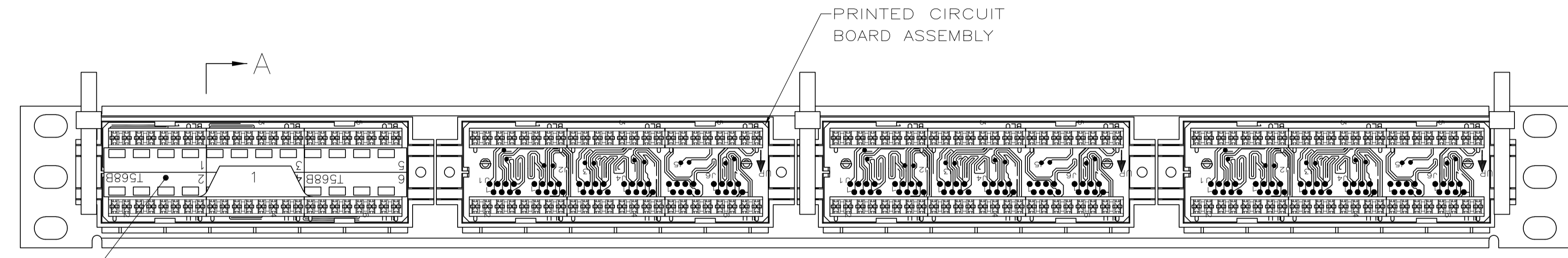
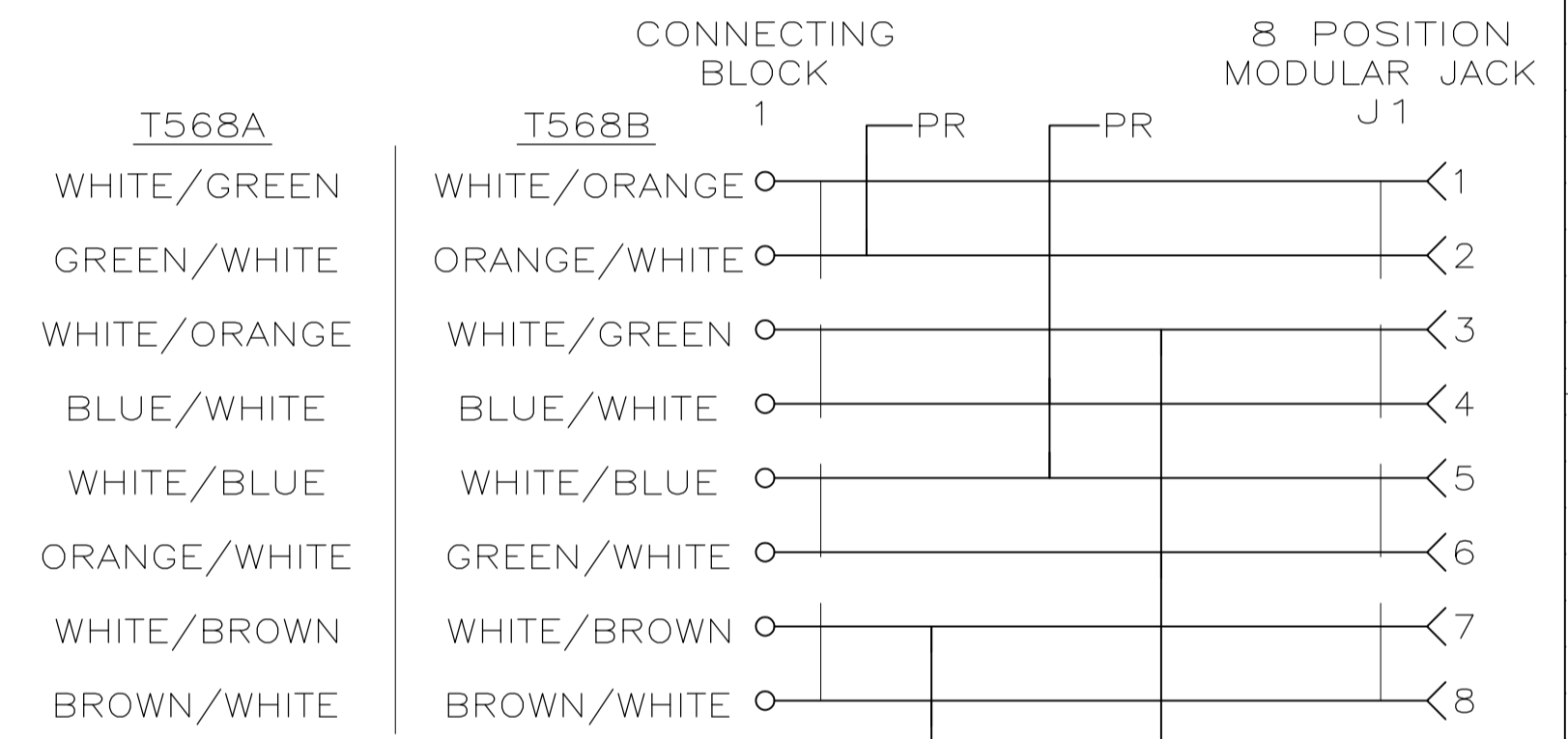
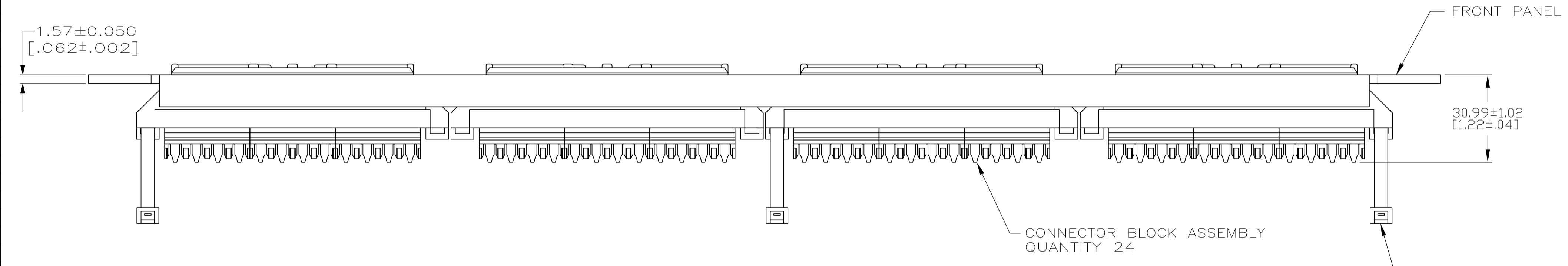


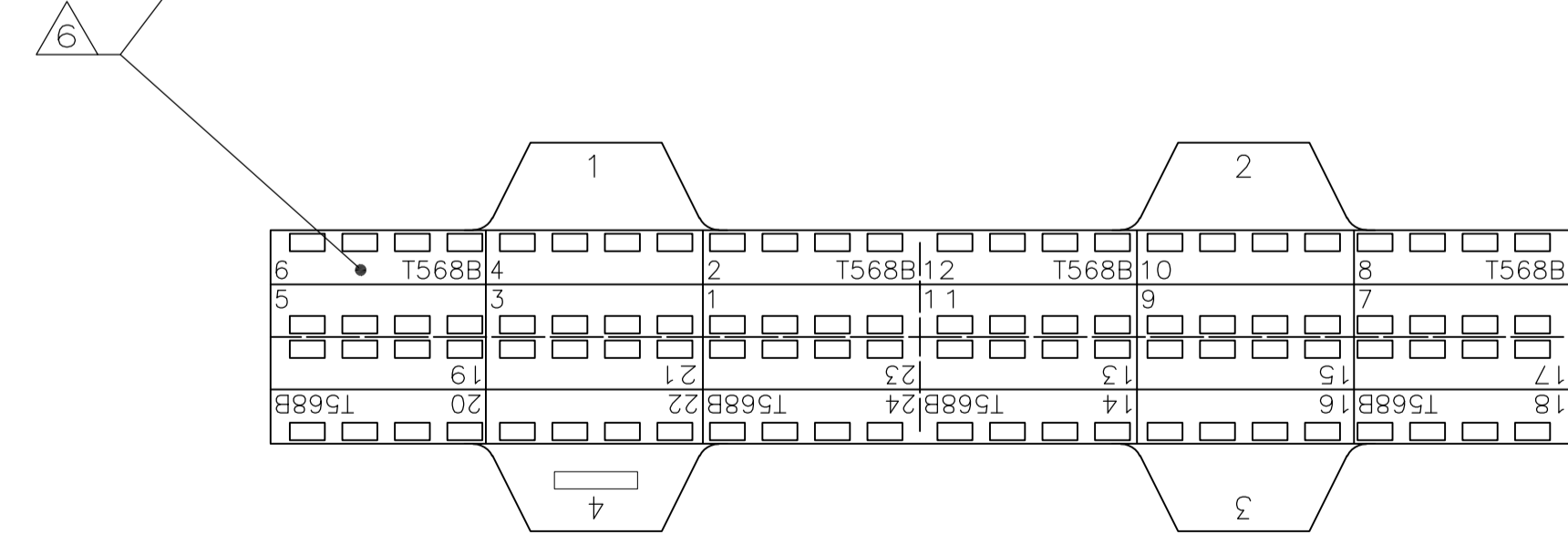
LOC	DIST	REVISIONS			
		REV	DESCRIPTION	DATE	BY
HM	00	E1	REVISED PER ECO-11-005033	11MAR11	RK HMR



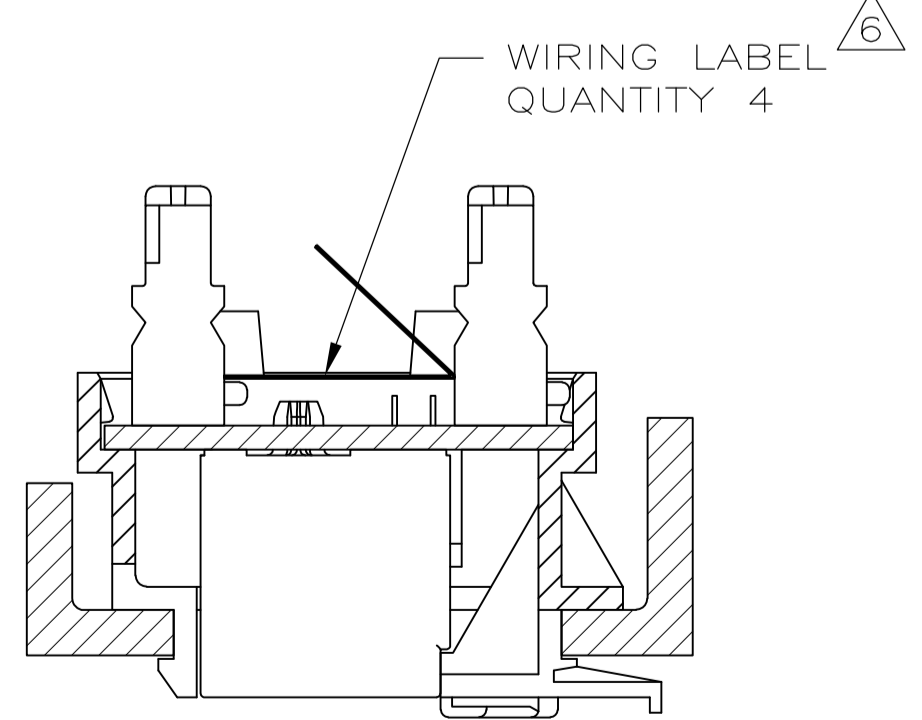
- 1 MATERIAL: PANEL – BLACK POWDER COAT STEEL WITH WHITE MARKINGS.
PRINTED CIRCUIT BOARD – LAMINATED PLASTIC SUBSTRATE, 1.57[.062] THICK.
2. MOUNTING HARDWARE INCLUDED EACH ASSEMBLY:
FOUR, 10–32X50 TRILOBULAR SCREWS W/CAPTIVE STARWASHER.
FOUR, 12–24X50 TRILOBULAR SCREWS W/CAPTIVE STARWASHER.
- 3 THREE RELEASEABLE CABLE TIES, SHOWN ASSEMBLED, USED FOR CABLE ORGANIZATION/ROUTING ARE SHIPPED LOOSE.
- 4 ICONS MAY BE PURCHASED SEPARATELY.
- 5 ONE SHEET OF BEZEL LABELS AND ONE SHEET OF CLEAR LABEL COVERS ARE SHIPPED LOOSE. ONE LABEL SHOWN INSTALLED AT LOCATION INDICATED.
- 6 ONE SHEET OF FOUR 110 CONNECTOR UNIVERSAL WIRING LABELS ARE SHIPPED LOOSE. ONE SIDE IS FOR T568A WIRING AND THE OPPOSITE SIDE FOR T568B WIRING. ONE LABEL SHOWN INSTALLED AT LOCATION INDICATED.



ELECTRICAL SCHEMATIC
T568A OR T568B



T568B SIDE
110 CONNECTOR UNIVERSAL
WIRING LABELS



SECTION A-A
ROTATED 90° CCW
SCALE 2:1

406330-1
PART NUMBER

THIS DRAWING IS A CONTROLLED DOCUMENT.		DWN L. HALL 14AUG00 CHK S. HERNDON 14AUG00 APVD S. HERNDON 14AUG00 NAME S. HERNDON PRODUCT SPEC APPLICATION SPEC	TE Connectivity
DIMENSIONS: mm [INCHES]	TOLERANCES UNLESS OTHERWISE SPECIFIED: 0 PLC ± 1 PLC ± 2 PLC ± 3 PLC ± 4 PLC ± ANGLES ±	SIZE CAGE CODE DRAWING NO A1 00779 406330	RESTRICTED TO CUSTOMER DRAWING
MATERIAL 1 FINISH 1		WEIGHT SCALE 1:1 SHEET 1 OF 1 REV E1	