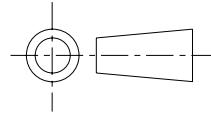


ISS.	DATE	E.C.N.	DESCRIPTION
3	6-JUL-04	08/04/1160	INCLUSION SPECIFICATION ADDED
4	15-Jan-07	1/07/1198	EJECTOR PIN CUTOUTS ENLARGED
5	18-Apr-08	4/07/1203	DIMENSIONS ADDED TO DRAWING

© 2006 CARCLO  
ALL DIMENSIONS IN mm



**CUSTOMER DRAWING**



**CARCLO TECHNICAL PLASTICS (SLOUGH) LTD.**  
111 BUCKINGHAM AVE, SLOUGH  
SL1 4PF, ENGLAND  
TEL: +44 1753 575011 FAX: +44 1753 811359  
e-mail: design@ctpcoil.co.uk

**GENERAL TOLERANCES (UNLESS STATED)**

LINEAR	ANGULAR
X +/- 0.25	X +/- 1°
X.X +/- 0.1	X.X +/- 0.5°
X.XX +/- 0.05	X.XX +/- 0.1°

CUSTOMER

**CARCLO**

TITLE

**LED COLLIMATOR PLAIN (TIGHT)**

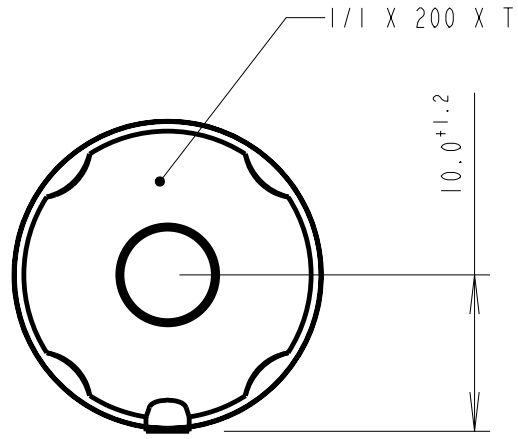
DRAWN **AJD** DATE **26-Jun-03**

CHK'D \_\_\_\_\_ DATE \_\_\_\_\_

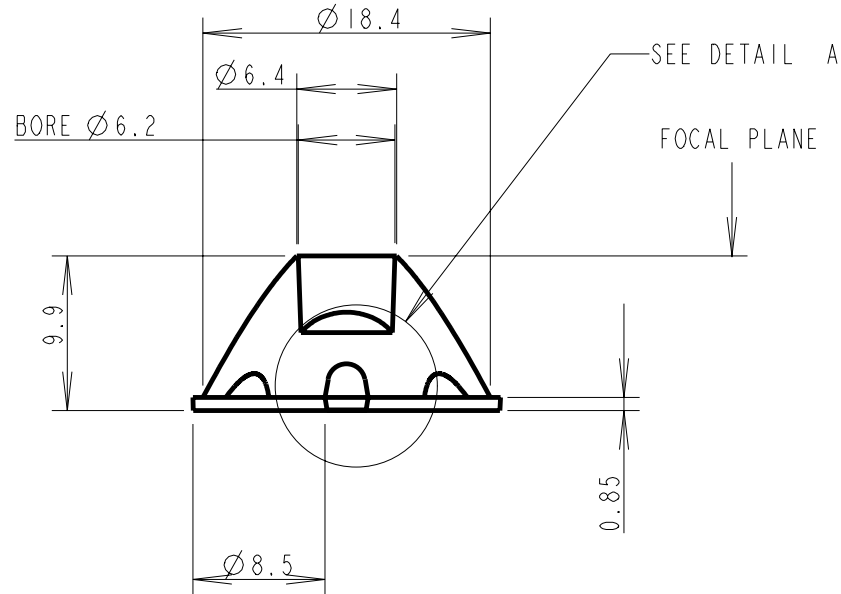
APP'D \_\_\_\_\_ DATE \_\_\_\_\_

SCALE	COIL PART No.
<b>2:1</b>	<b>10003</b>

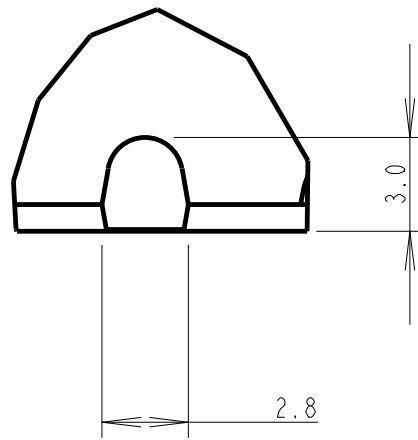
SIZE	COIL DRG. No.	SHEET
<b>A4</b>	<b>60318</b>	<b>2 OF 2</b>



3D VIEW  
SCALE 1:1



DETAIL A  
SCALE 4:1



NOTES:  
1. MATERIAL - UV STABILISED POLYCARBONATE  
2. INCLUSIONS SPECIFIED TO BS4301