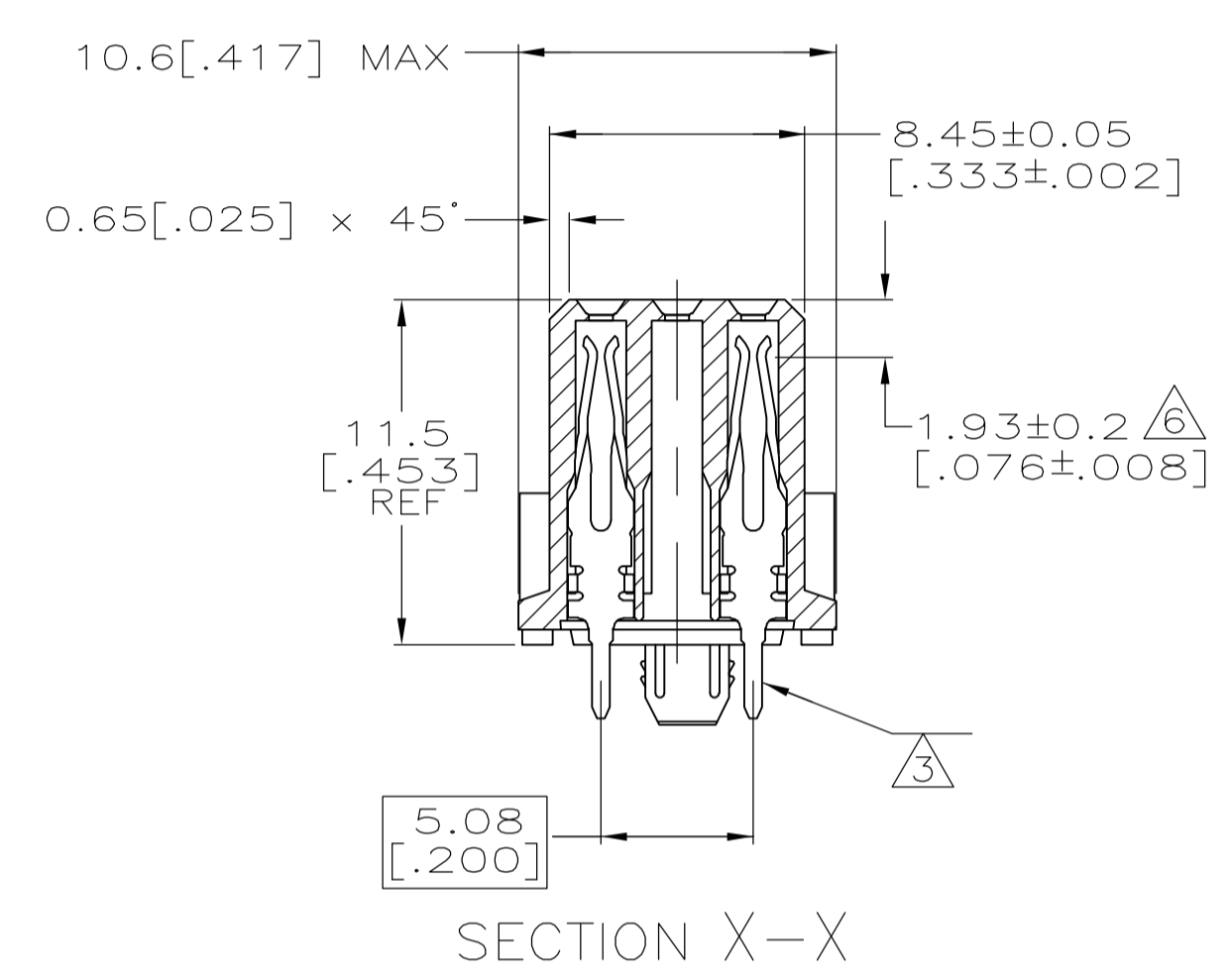


PC BOARD LAYOUT

- 1 HOUSING MATERIAL: GLASS-FILLED POLYMER.
- 2 CONTACT MATERIAL: COPPER ALLOY.
- 3 CONTACT FINISH: DIN 41612 CLASS 2 IN CONTACT AREA. TIN ON POSTS.
- 4 RECOMMENDED HOLE SIZE FOR MANUAL APPLICATION OF CONNECTOR ONTO PC BOARD.
- 5 PART NUMBER, DATE CODE IDENTIFICATION, CSA LOGO IN THIS APPROXIMATE AREA, ON REVERSE SIDE.
- 6 CONTACT POINT.



1-32	X	-	X	64	5536481-5
POSITIONS LOADED	C	B	A	NO. OF LOADED POSITION	ASSY PART NUMBER

THIS DRAWING IS A CONTROLLED DOCUMENT.		DIN J. POLIGNONE 27MAY05		Tyco Electronics Corporation	
DIMENSIONS: mm [INCHES]		CIK A. SHARPE 27MAY05		Harrisburg, Pa 17105-3608	
TOLERANCES UNLESS OTHERWISE SPECIFIED:		APVD A. SHARPE 27MAY05		NAME	
0 PLC	± -	PRODUCT SPEC		ASSEMBLY, RECEPTACLE, EUROCARD, TYPE C, LEAD-FREE, A and C, 64/96 POSITION, 2.49 [.098] SOLDER POSTS WITH BOARD-LOCKS	
1 PLC	± -	APPLICATION SPEC		SIZE	
2 PLC	± -	WEIGHT		CAGE CODE	
3 PLC	± 0.1 [.005]	CUSTOMER DRAWING		DRAWING NO	
4 PLC	± -	SCALE 4:1		SHEET 1 OF 1	
ANGLES	± -	REV 0		REV 0	
MATERIAL	FINISH	A1 00779		5536481	