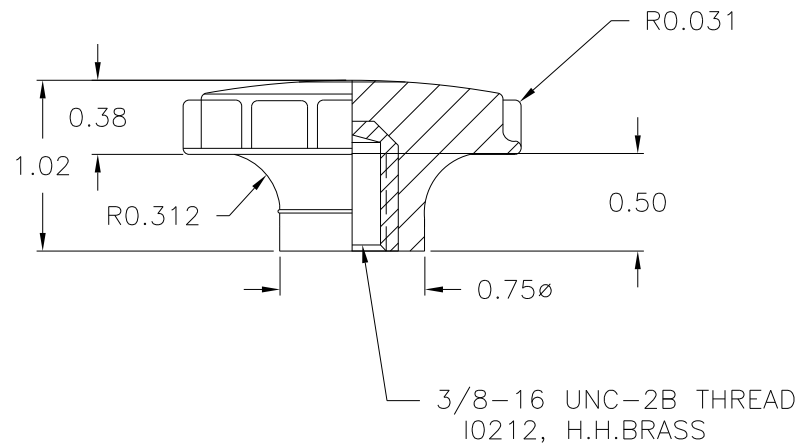
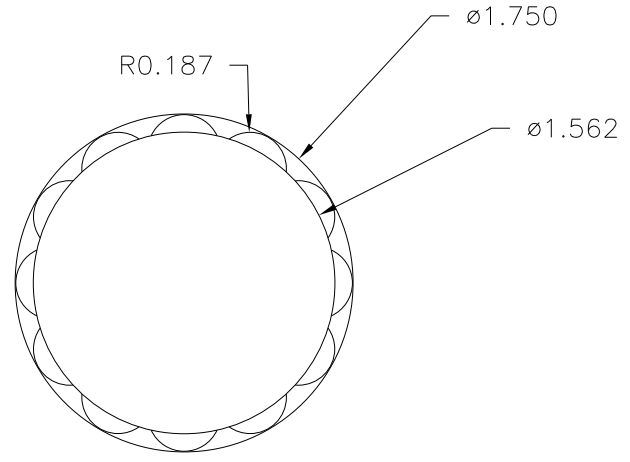


PART NAME: KNOB SCALE: 1:1 DATE: 4/24/68 DR. BY MS

THIS DRAWING IS THE PROPERTY OF DAVIES MOLDING COMPANY, IS SUBMITTED SOLELY AS A DESIGN OR ENGINEERING PROJECT. WE ACCEPT NO RESPONSIBILITY WHATSOEVER FOR THE PRACTICAL APPLICATION OF THE PIECES MADE TO THIS DESIGN.



P/N 3000HV	
M NO. 3000	
CAVITY	3000
PLUNGER	3000
SHIMS	1/4
PINS	3000-E+E1
INSERT	I0212



MATERIAL: G.P. PHENOLIC (B11)
COLOR: BLACK

TOLERANCES: UNLESS OTHERWISE SPECIFIED	DO NOT SCALE DRAWING			
DECIMALS: X.XXX ± .005 X.XX ± .015	MM: X.XX ± 0.15MM X.X ± 0.4MM	-	CAD/REDRAWN	HD 5/14/98
FRACTIONS ± 1/64	ANG. ± 1°	-	SET-UP REVISED	NH 3/10/71
CHANGES				