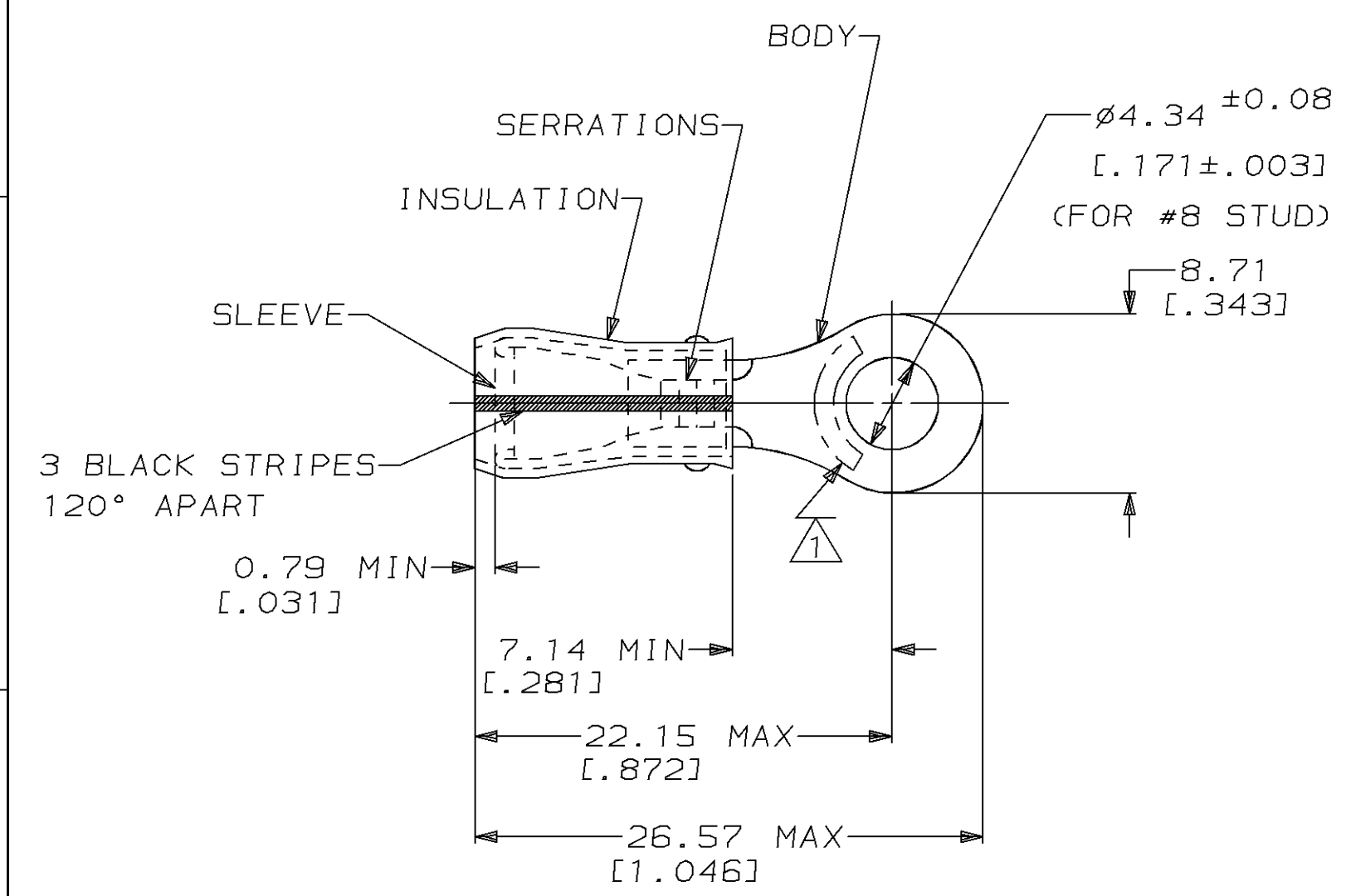


THIS DRAWING IS UNPUBLISHED. RELEASED FOR PUBLICATION ,19 .  
 © COPYRIGHT 19 BY AMP INCORPORATED. ALL RIGHTS RESERVED.

LOC	DIST	REVISIONS			
P	LTR	DESCRIPTION	DATE	DWN	APVD
G	14	F	REV & REDRAW / 0720-0575-95	28SEP95	MLE NB



<b>AMP</b> WIRE RANGE	<b>UL</b> E13288	<b>SR</b> LR7189 Certified
16-14 AWG SOLID OR STRANDED	16-14 AWG SOLID OR STRANDED	16-14 AWG SOLID OR STRANDED

- △ STAMP AMP 16-14 HD\* APPROX AS SHOWN
- 2. WIRE INSUL DIA, 3.81-6.35 [.150-.250]
- 3. TONGUE MATERIAL THK, 1.22±0.05 [.048±.002]

---	-----	-----
50	LOOSE PIECE, BOX	8-35106-2
2500	ON TAPE, REEL	2-35106-1
500	LOOSE PIECE	35106
QTY	PACKAGE TYPE	PART NO

**AMP INCORPORATED**  
**CUSTOMER SERVICE SYSTEM**

FOR ADDITIONAL PRODUCT INFORMATION OR COPIES OF DRAWINGS AND TECHNICAL DOCUMENTS: PRODUCT INFORMATION CENTER 1-800-522-6752

FOR APPLICATION TOOLING INFORMATION: TOOLING ASSISTANCE CENTER 1-800-722-1111

FOR ORDER ENTRY: 1-800-526-5142

MAX RECOMMENDED OPERATING TEMPERATURE:  
 105°C [221°F]

VOLTAGE RATING:  
 300 V MAX

CIRCULAR MIL AREA:  
 1.04mm<sup>2</sup>-2.62mm<sup>2</sup> [2050-5180]

THIS DRAWING IS A CONTROLLED DOCUMENT FOR AMP INCORPORATED. IT IS SUBJECT TO CHANGE AND THE CONTROLLING ENGINEERING ORGANIZATION SHOULD BE CONTACTED FOR THE LATEST REVISION.

DIMENSIONS:	TOLERANCES UNLESS OTHERWISE SPECIFIED.
mm [in]	
	0 PLC ±-
	1 PLC ±-
	2 PLC ±0.20 [.008]
	3 PLC ±-
	4 PLC ±-
	ANGLES ±-

MATERIAL: BODY, SLV, COPPER PER ASTM B 152; INSUL, NYLON, COLOR, YELLOW

FINISH: BODY & SLV, TIN PLATE PER MIL-T-10727

DWN M ELLIS /3 T/3. T/	28SEP95	<b>AMP</b> AMP Incorporated Harrisburg, PA 17105-3608
CHK C PRESNELL	28SEP95	
APVD N BIRCH	28SEP95	NAME TERMINAL, RING TONGUE, PIDG™, WIRE SIZE, 16-14 HD AWG
PRODUCT SPEC UL 486A		SIZE A3
APPLICATION SPEC -		CAGE CODE 00779
WEIGHT -		DRAWING NO C-35106
CUSTOMER DRAWING	SCALE 4:1	SHEET 1 OF 1
		REV F