

OPERATING CHARACTERISTICS AT 25°C AMBIENT

	COLOR	MIN	TYP	MAX	UNITS	TEST CONDITIONS
LUMINOUS INTENSITY	WHITE	1150		2500	mcd	IF = 20mA
	BLUE	7.1	12.5	18.0		IF = 10mA
	GREEN	5.6	16.0			
FORWARD VOLTAGE	WHITE		3.2	3.7	V	IF = 20mA
	BLUE		3.5	4.1		IF = 10mA
	GREEN		2.1	3.0		
PEAK WAVELENGTH	WHITE				nm	
	BLUE		428			
	GREEN		563			
DOMINANT WAVELENGTH	WHITE				nm	
	BLUE	462	465	468		
	GREEN					
VIEWING ANGLE	WHITE		45		Degree	
	BLUE		70			
	GREEN		45			

COLOR BIN LIMIT SPECIFICATIONS OF WHITE LED					
BIN	CHROMATICITY COORDINATES				
1	x	0.330	0.330	0.356	0.361
	y	0.360	0.318	0.351	0.385
2	x	0.287	0.296	0.330	0.330
	y	0.295	0.276	0.318	0.339
3	x	0.264	0.280	0.296	0.283
	y	0.267	0.248	0.276	0.305
4	x	0.283	0.287	0.330	0.330
	y	0.305	0.295	0.339	0.360

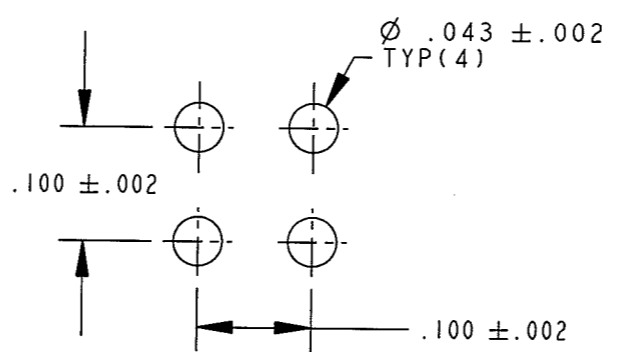
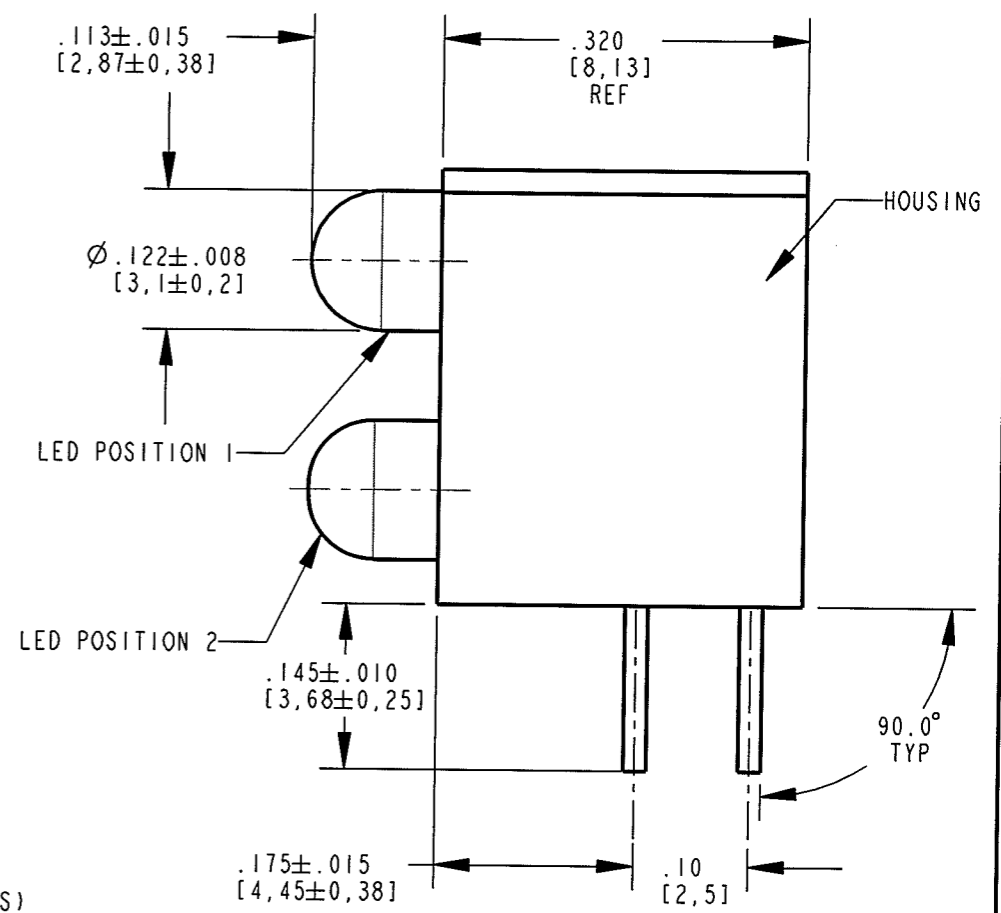
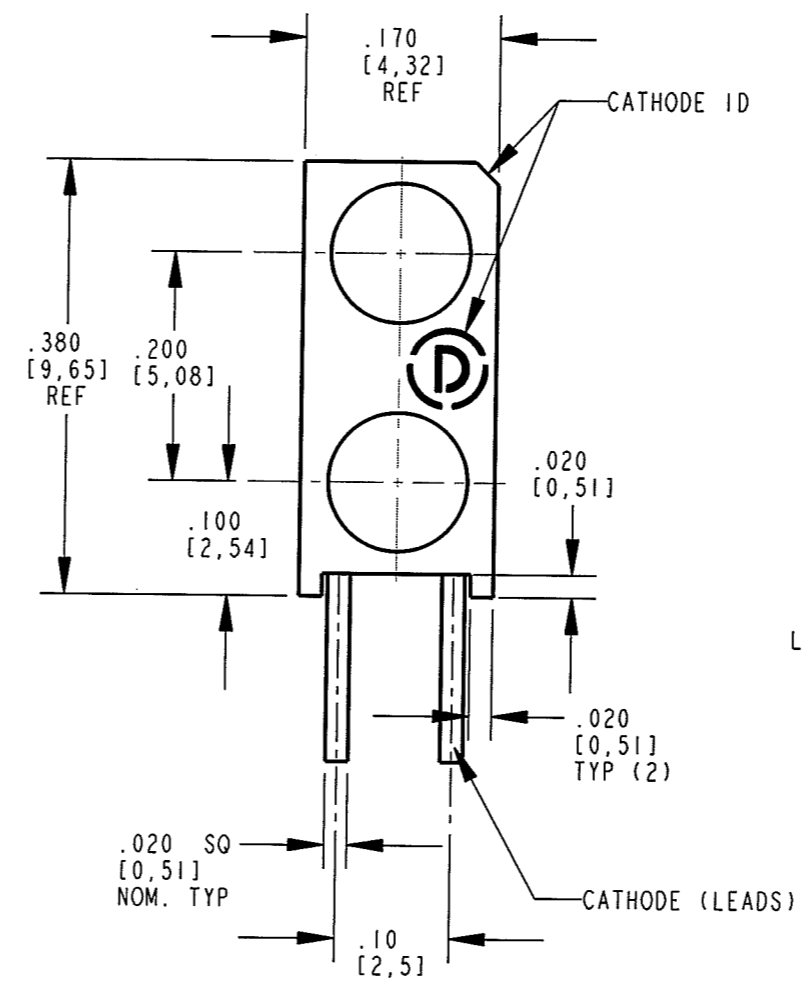
TOLERANCE FOR EACH COLOR BIN LIMIT IS ±0.01.

ABSOLUTE MAXIMUM RATING AT 25 °C AMBIENT

	COLOR	UNITS
POWER DISSIPATION	WHITE	111
	BLUE	90
	GREEN	75
DERATE LINEARLY FROM 37°C	WHITE	0.42
DERATE LINEARLY FROM 50°C	BLUE	0.44
CONTINUOUS FORWARD CURRENT	WHITE	30
	BLUE	20
	GREEN	25
PEAK FORWARD CURRENT	WHITE	100
	BLUE	—
	GREEN	60
REVERSE VOLTAGE	WHITE	5
	BLUE	5
	GREEN	3
LEAD SOLDERING TEMPERATURE, 5 SEC., 1/16" FROM BODY	ALL	260
OPERATING TEMPERATURE	WHITE	-40 TO +85
	BLUE	-55 TO +100
	GREEN	-25 TO +85
STORAGE TEMPERATURE	WHITE	-40 TO +100
	BLUE	-55 TO +100
	GREEN	-30 TO +100

PART NUMBER	LED COLOR	
	POSITION 1	POSITION 2
553-0001-807F	WHITE	GREEN DIFFUSED
553-0001-808F	WHITE	BLUE DIFFUSED

REV	ECN NO	REVISIONS	DRN	CKD	APP	DATE
A		NEW RELEASE	SM	MES	N.O.	8-28-06
B		UPDATED WHITE LED SPECS	KLJ	2.0		2-1-08



RECOMMENDED PC BOARD HOLE PATTERN

NOTES:

- LEADS TO BE FIT INTO HOLES .040 DIA. SPACED AS PER PATTERN.
- SEE TABLE FOR DIALIGHT PART NUMBER
- THIS ASSEMBLY CONTAINS ELECTROSTATIC DISCHARGE SENSITIVE DEVICES (ESDS). MAINTAIN ALL PRECAUTIONARY MEASURES DURING ASSEMBLY, HANDLING AND STORAGE IN ACCORDANCE WITH IPC-A-610.

RoHS Compliant 553-0001-80XF
 Part Numbers with the "F" suffix ending are RoHS Compliant.
 Example: 553-0001-807F
 Packaging is marked with "RoHS Compliant" label or equivalent markings. Parts can be wave soldered, dip soldered or hand soldered using typical lead-free soldering process with max 260°C temp. for 5 sec.



ATTENTION:
 OBSERVE PRECAUTIONS FOR
 HANDLING ELECTROSTATIC
 SENSITIVE DEVICES

THIS DRAWING AND THE CONTENTS HEREIN ARE CONFIDENTIAL AND THE SOLE PROPERTY OF DIALIGHT. REPRODUCTION OF THIS DRAWING OR CONSTRUCTION OF ANY PARTS WITHIN THIS DRAWING ARE FORBIDDEN WITHOUT THE WRITTEN CONSENT OF DIALIGHT.		
SCALE: 8.000 ALL DIM'S IN: INCHES (MM)	DRAWING NUMBER C-17422	REV B
TOLERANCES: UNLESS OTHERWISE SPECIFIED FRACTIONS: ±1/64 DECIMALS (.XX): ±.01 DECIMALS (.XXX): ±.005 DECIMALS (.XXXX): ±.0005 ANGLES: ±1°	TITLE 3 mm LED BI- LEVEL CBI RoHS COMPLIANT	MATERIAL
FINISH:	1501 ROUTE 34 SOUTH FARMINGDALE, NJ 07727	
FSCM 83330	SHEET 1 OF 1 FAMILY TABLE:	