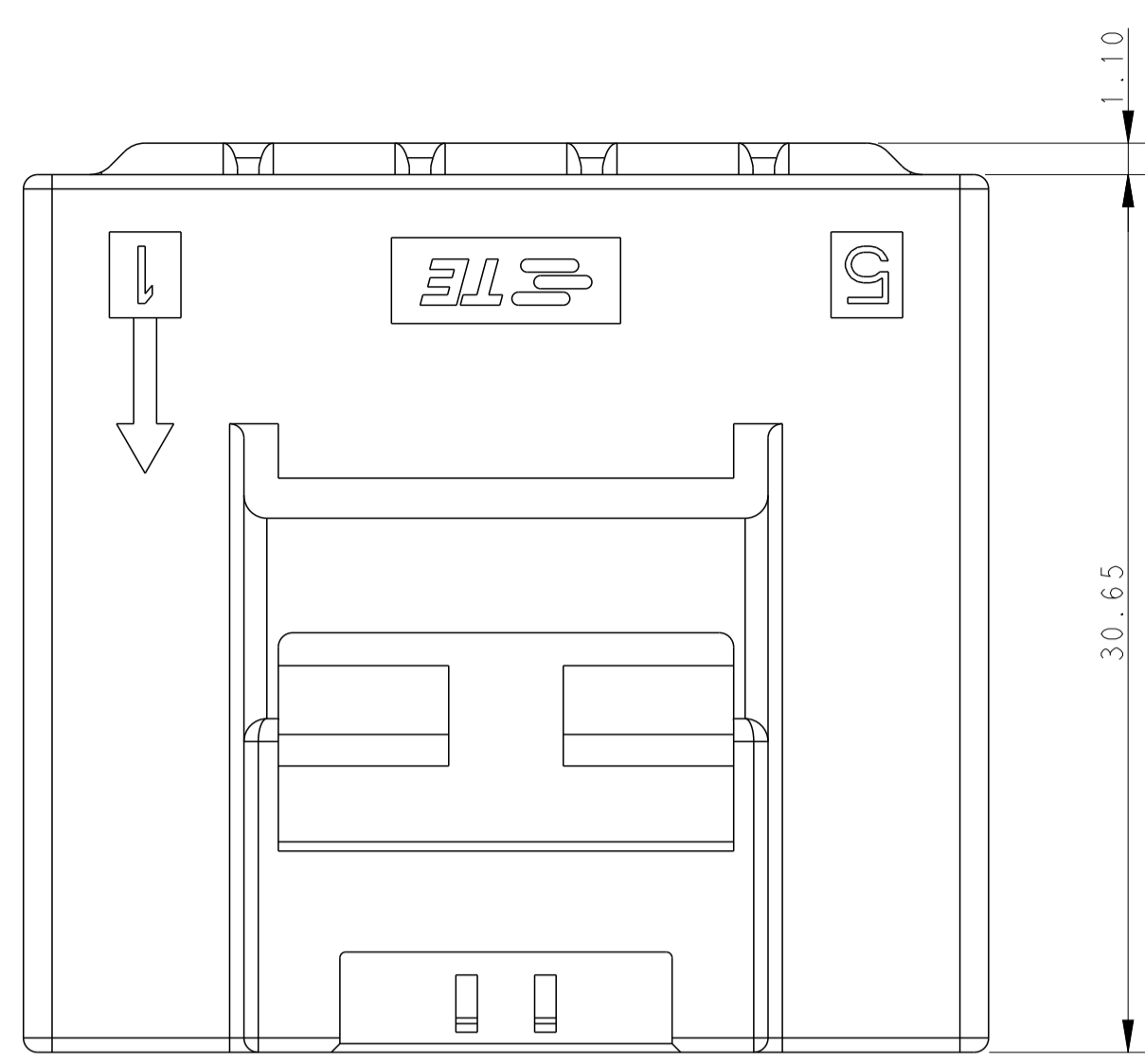
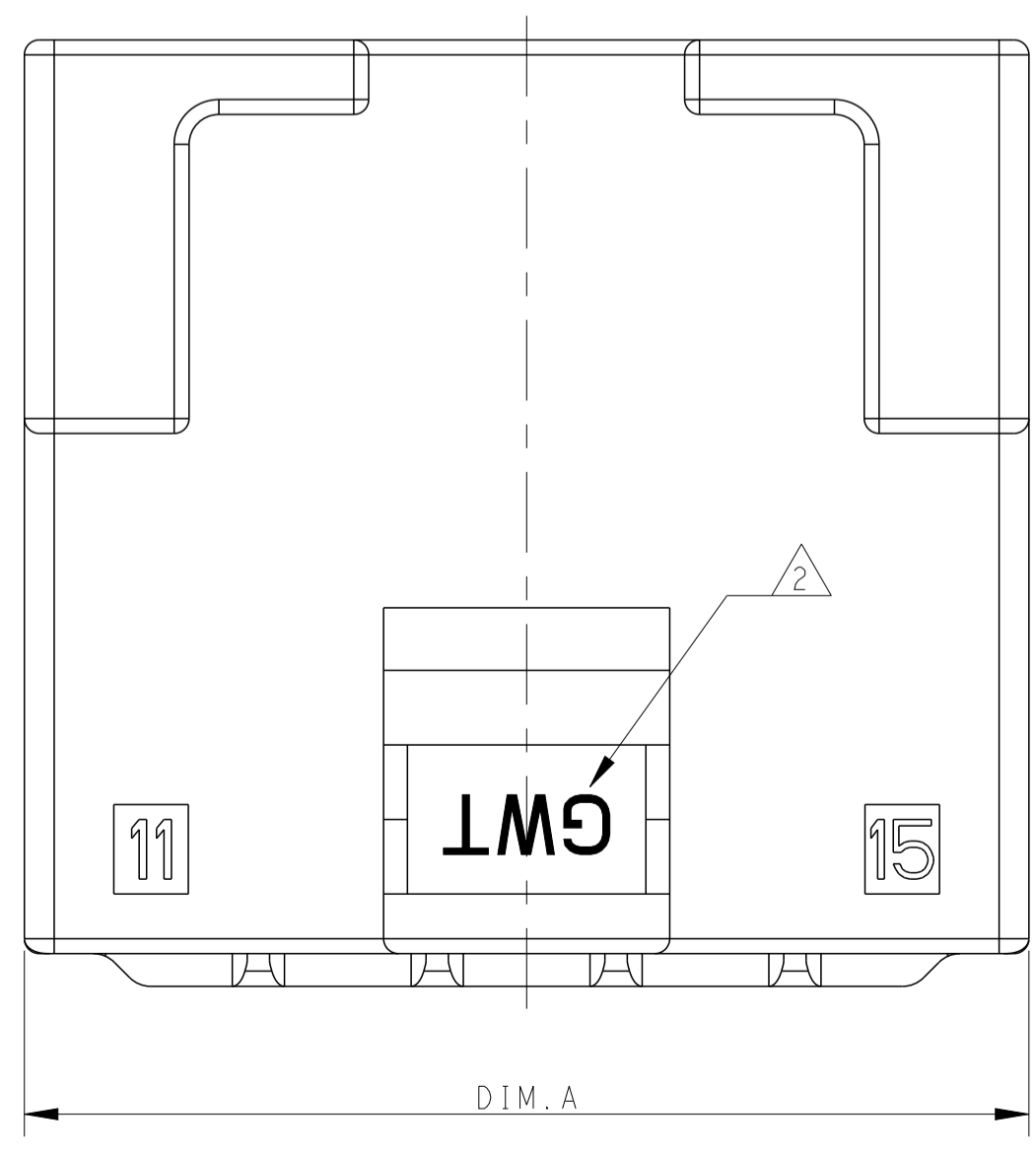
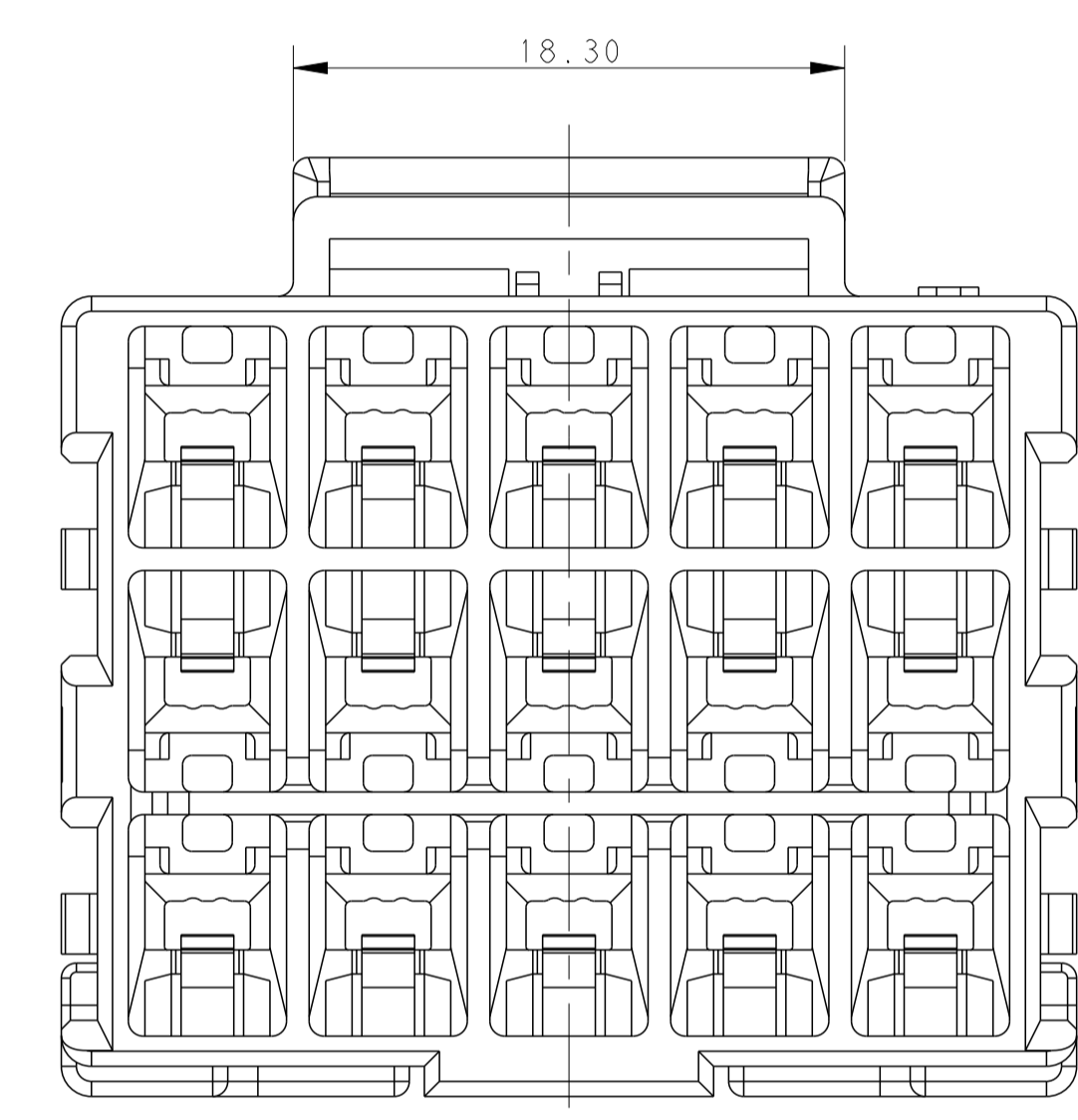
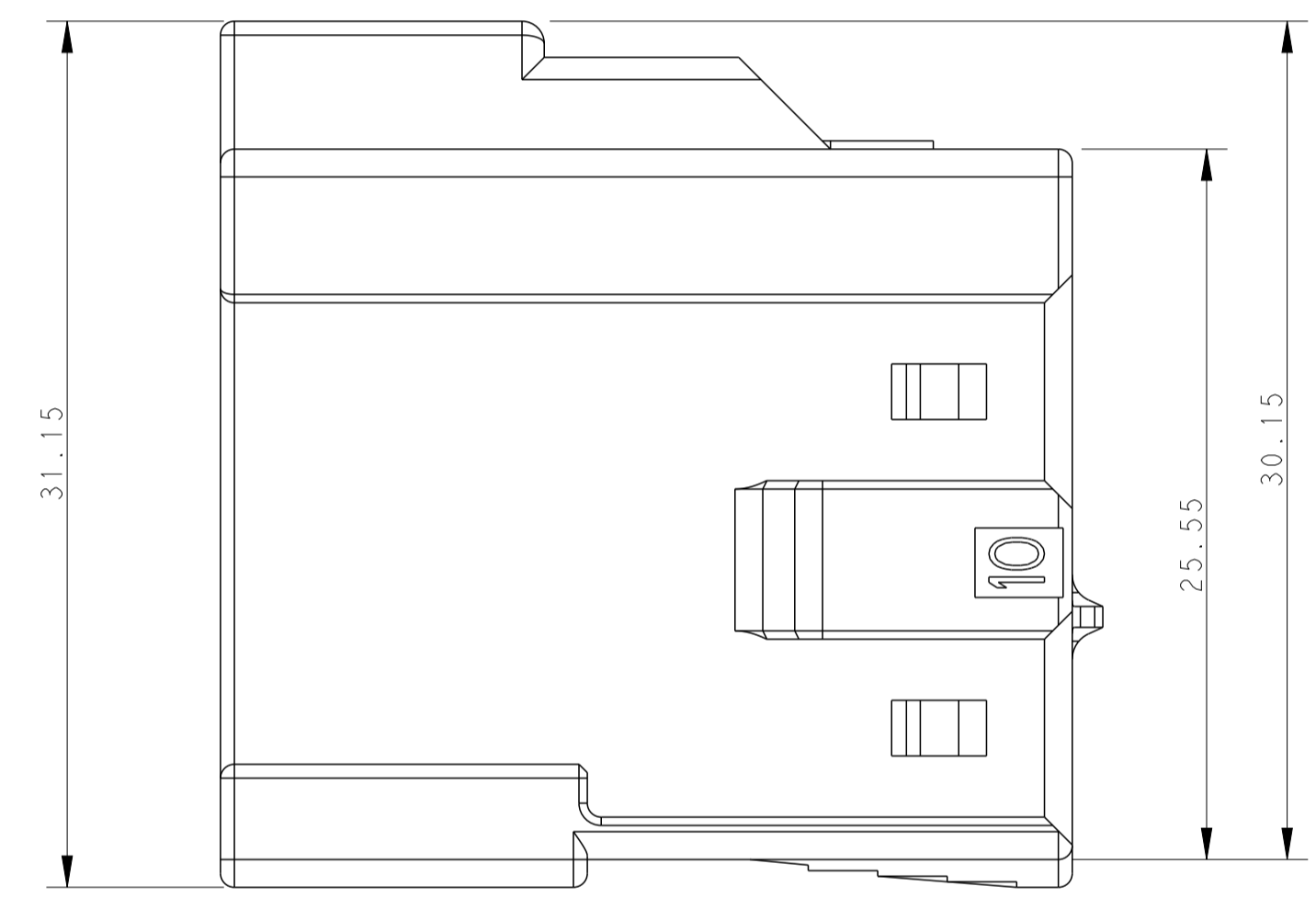
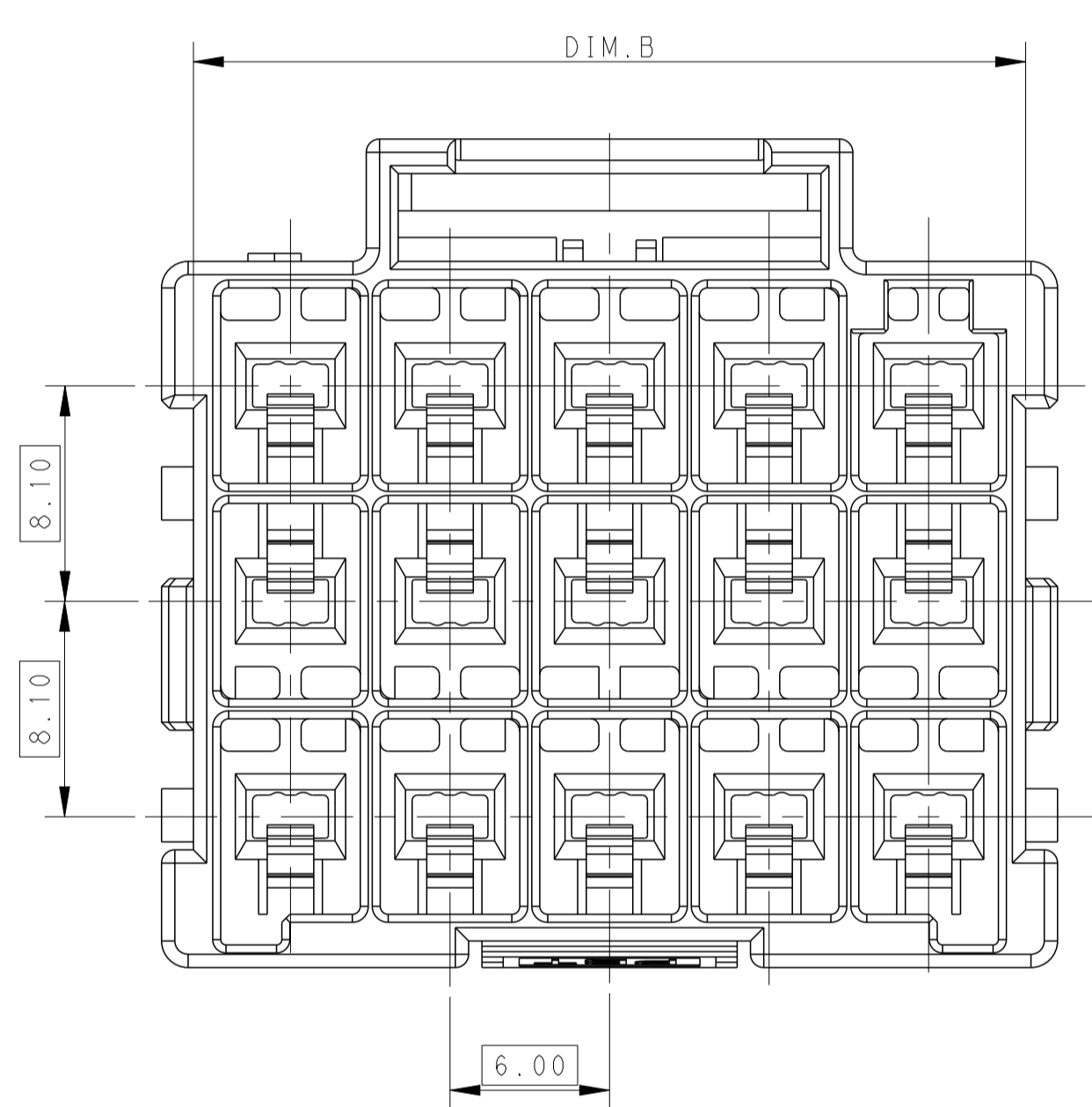


REVISIONS				
P.	LTN.	DESCRIPTION	DATE	APVD.
B		REVISED PER ECR-16-003314	18JUL2016	BW GJ



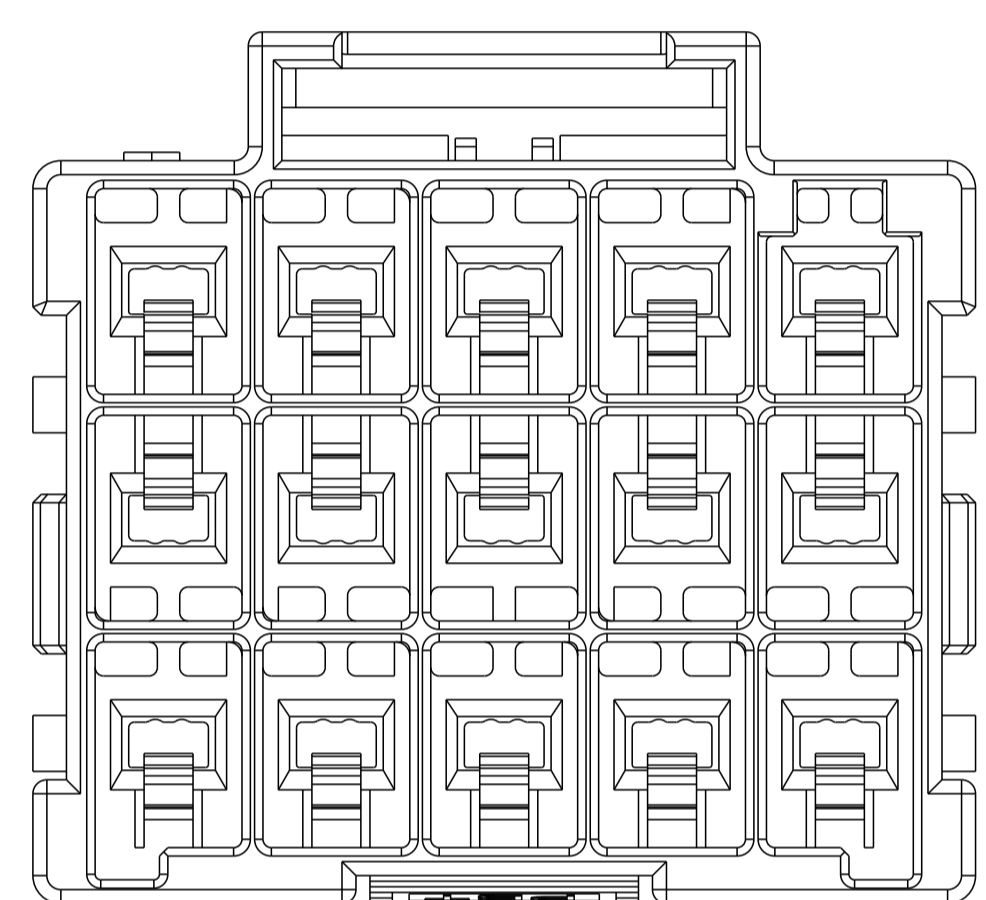
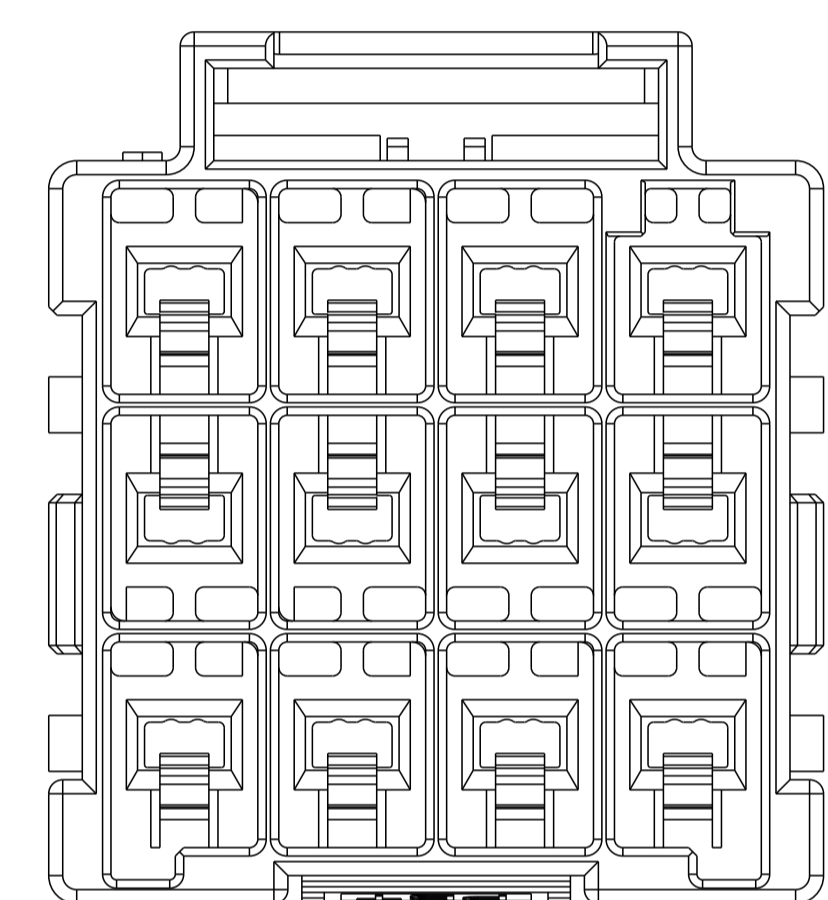
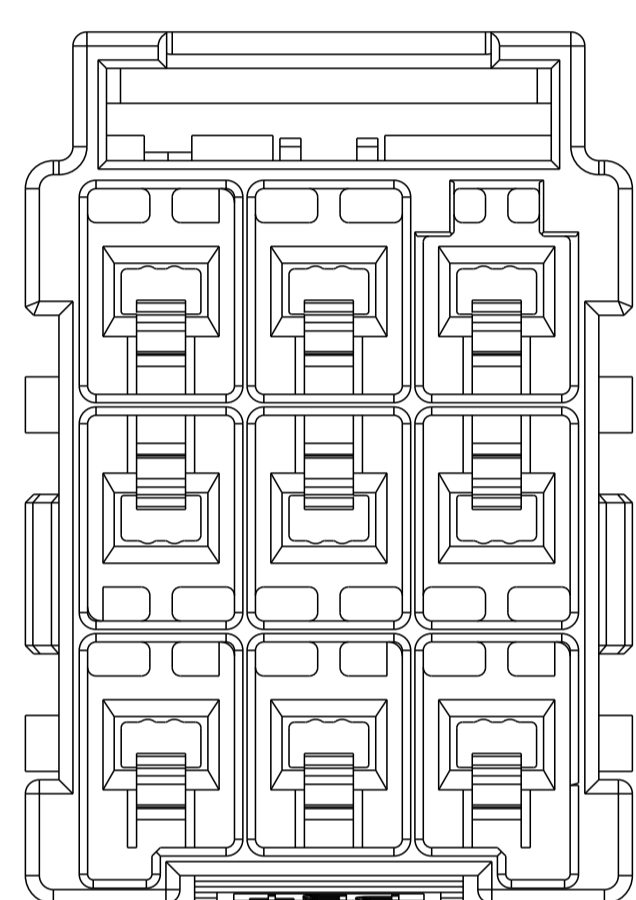
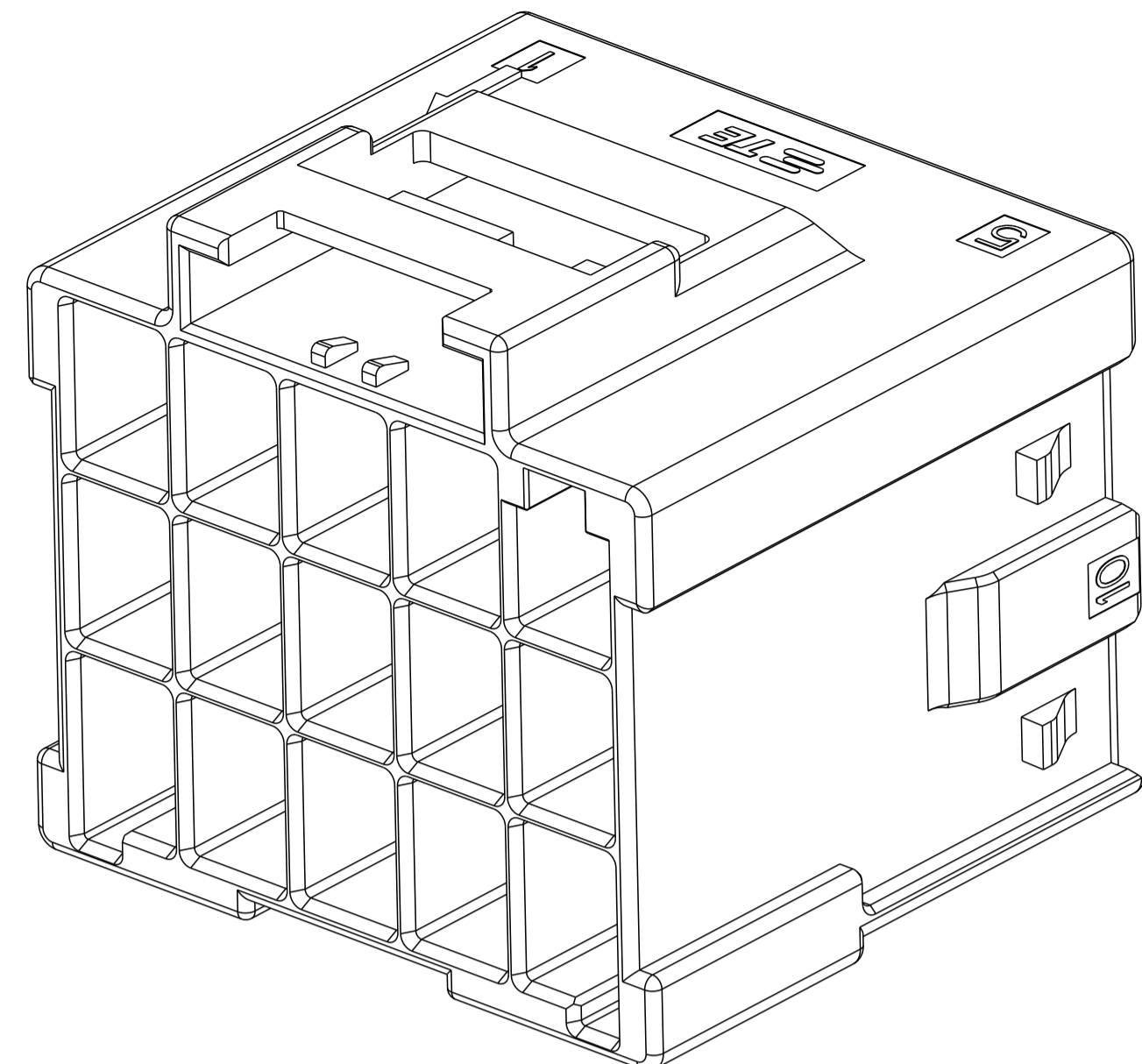
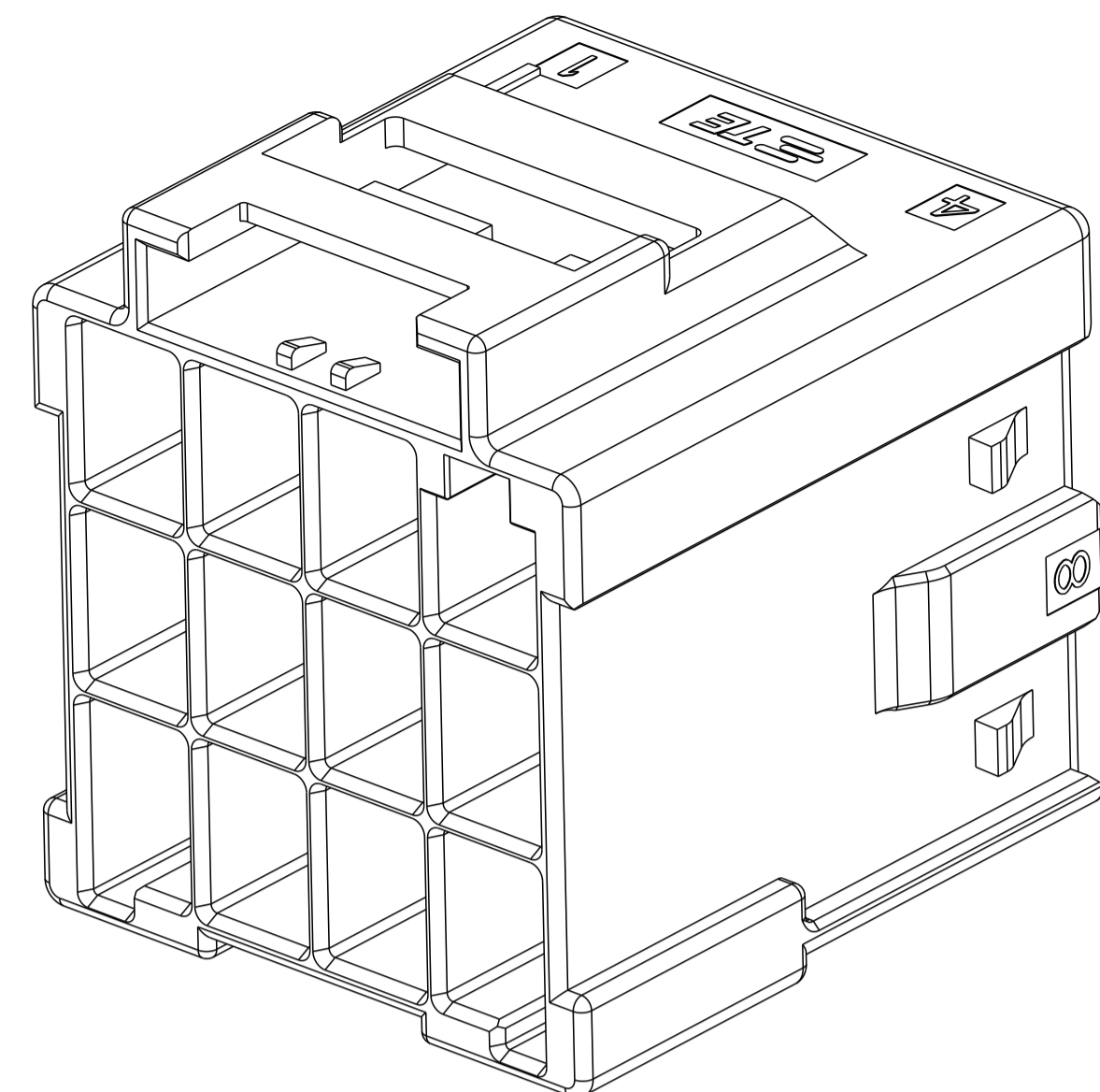
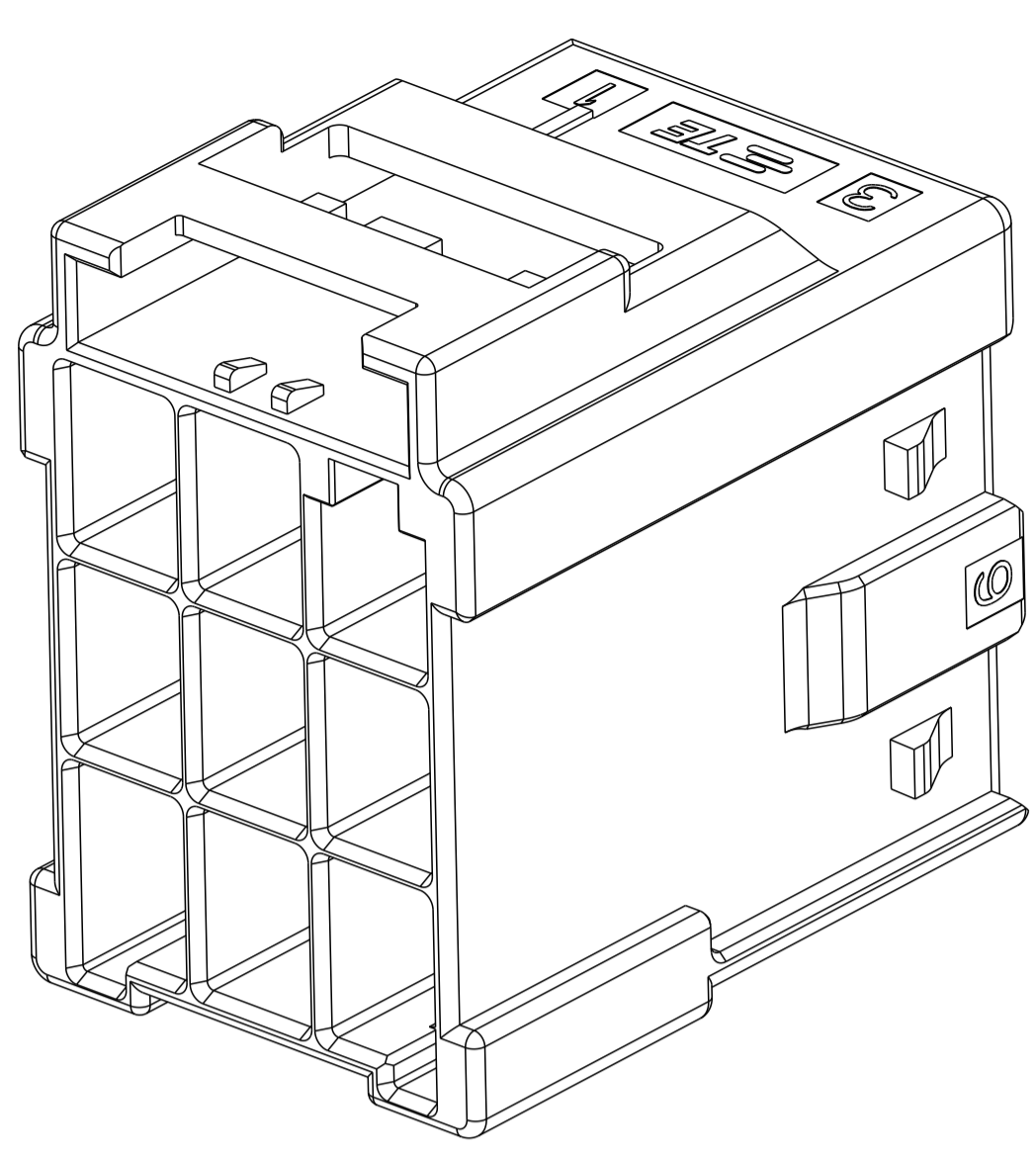
POS.	DIM. A	DIM. B
3*5	33.70	31.30
3*4	27.70	25.30
3*3	21.70	19.30



- 1 MATERIAL:
 LEVEL A: PA6 GLASS FILLED, COMPLY WITH GLOW WIRE REQUIREMENTS FOR PARTS OF NON-METALLIC MATERIAL SUPPORTING A CURRENT-CARRYING CONNECTION DETAILED IN IEC 60335-1, SECTION 30 (GWT), UL 94V-0
 LEVEL B: PBT GLASS FILLED, HOT WIRE IGNITION (HWI) VERSION ARE MOLDED IN A RESIN THAT COMPLIES WITH TE HOT WIRE IGNITION TEST 109-32026 AND ARE RECOMMENDED FOR USE WITH HWI HOUSINGS THAT ALSO COMPLY, UL 94V-0.
- 2 MATERIAL MARK:
 LEVEL A: GWT, LEVEL B: HWT.
- 3 APPLICABLE CONTACT P/N
 TAB CONTACT: 1971238/1971780/82/84/86/88-*
- 4 MATING CONN. P/N
 PLUG HSG: *-2232357-*, TPA DOUBLE ROW: *-1971778-*, TPA SINGLE ROW: *-1971777-*,
- 6 THIS PRODUCT HAS NOT COMPLETED VALIDATION TESTING.

THIS DRAWING IS A CONTROLLED DOCUMENT.		OWN: TOMMY WU 26MAR2013	TE Connectivity
DIMENSIONS: mm		CHK: HAPYE WU 26MAR2013	
TOLERANCES UNLESS OTHERWISE SPECIFIED:		APVD: YUHONG MAO 26MAR2013	NAME: CAP HOUSING, FREE HANGING, TRIPLE ROW POWER TRIPLE LOCK PRODUCT SPEC: 108-106118 APPLICATION SPEC: 114-106118
0 PLC ± 1 PLC ±0.35 2 PLC ±0.25 3 PLC ± 4 PLC ± ANGLES ± FINISH ±		SIZE: A1 CAGE CODE: 100779 DRAWING NO: C=2232360 WEIGHT: - MATERIAL: - FINISH: -	
MATERIAL: -		RESTRICTED TO: -	SCALE: - SHEET 1 OF 2 REV B Customer Drawing

REVISIONS				
P.	LTN.	DESCRIPTION	DATE	APVD.
-	-	SEE SHEET 1	-	-

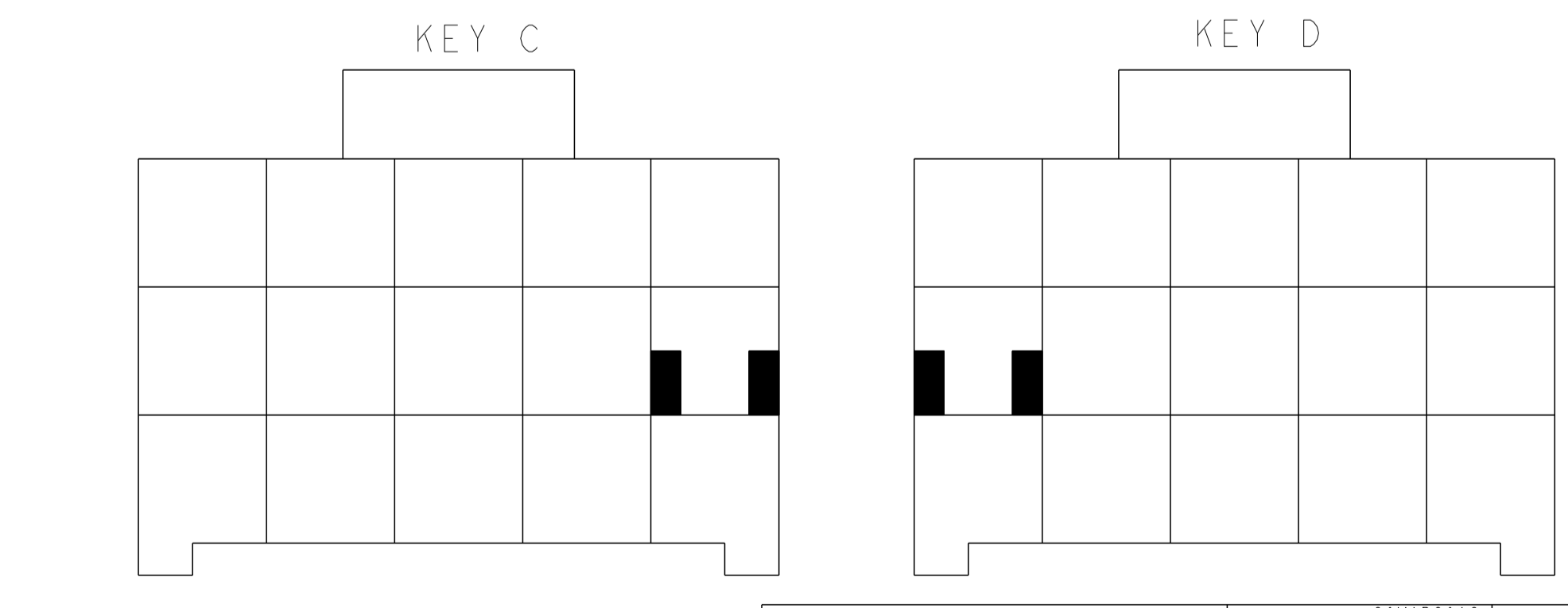
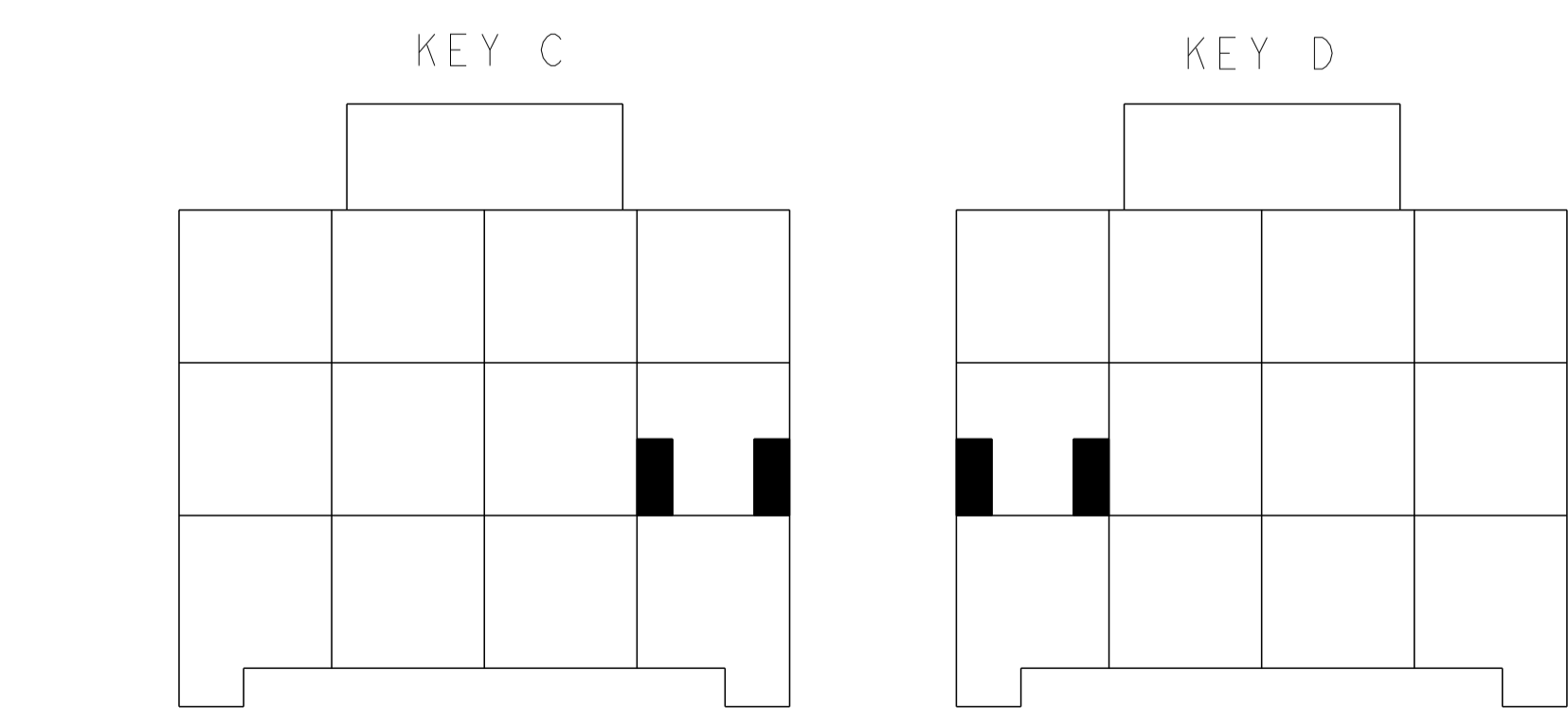
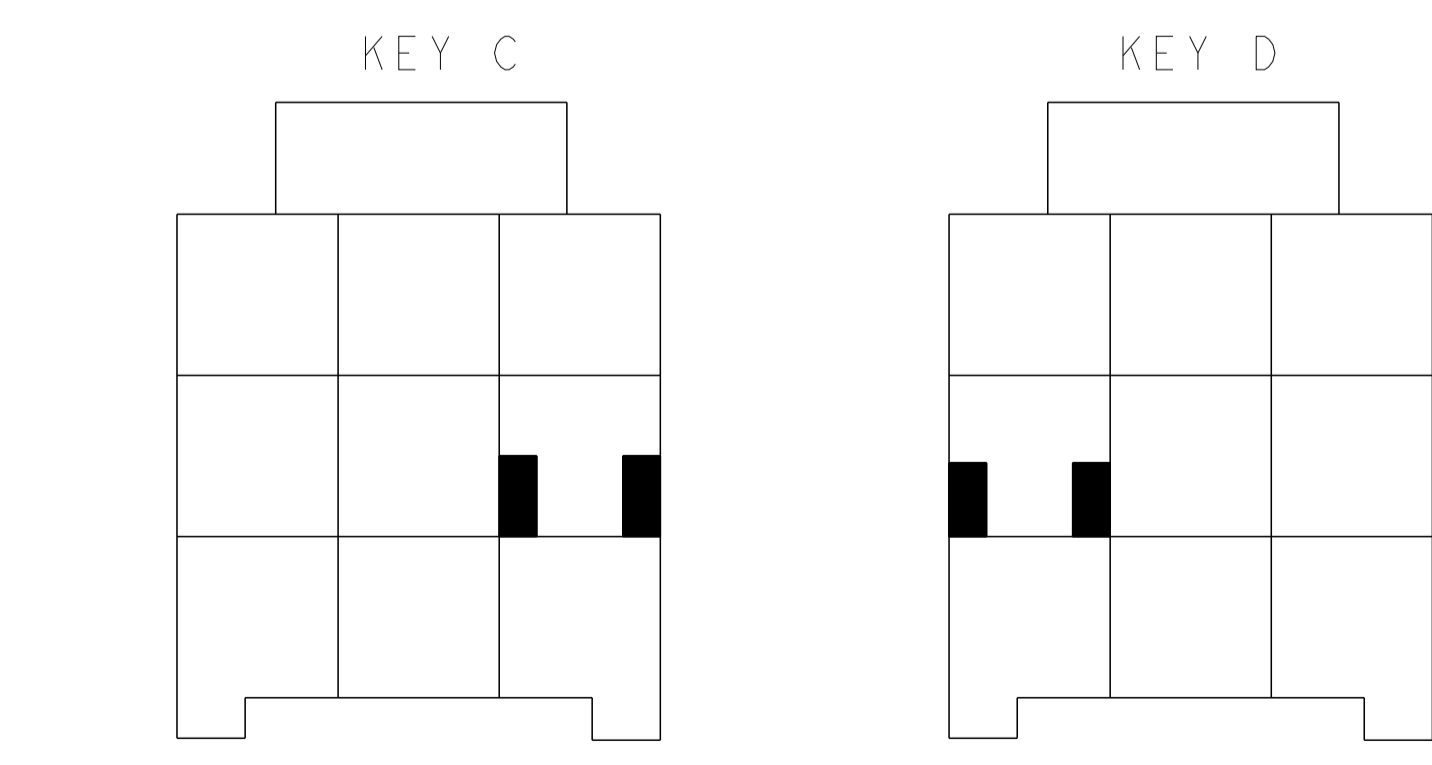
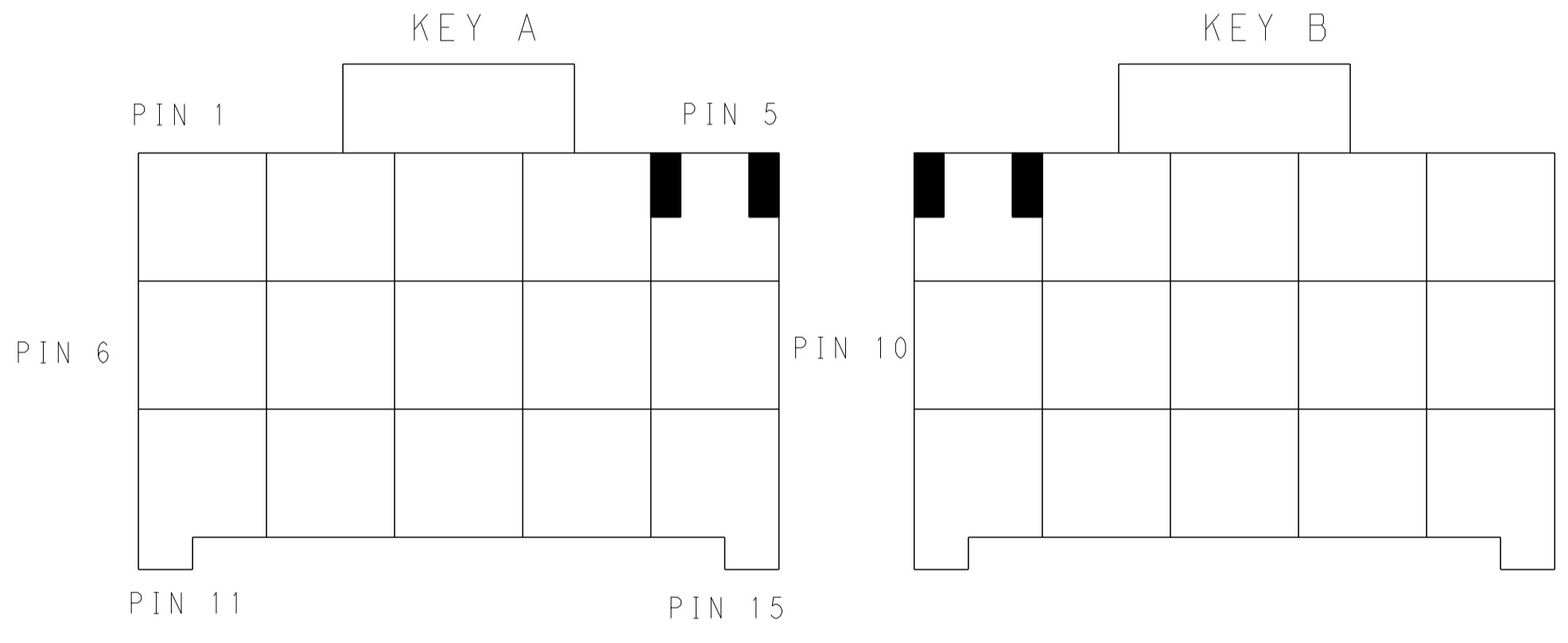
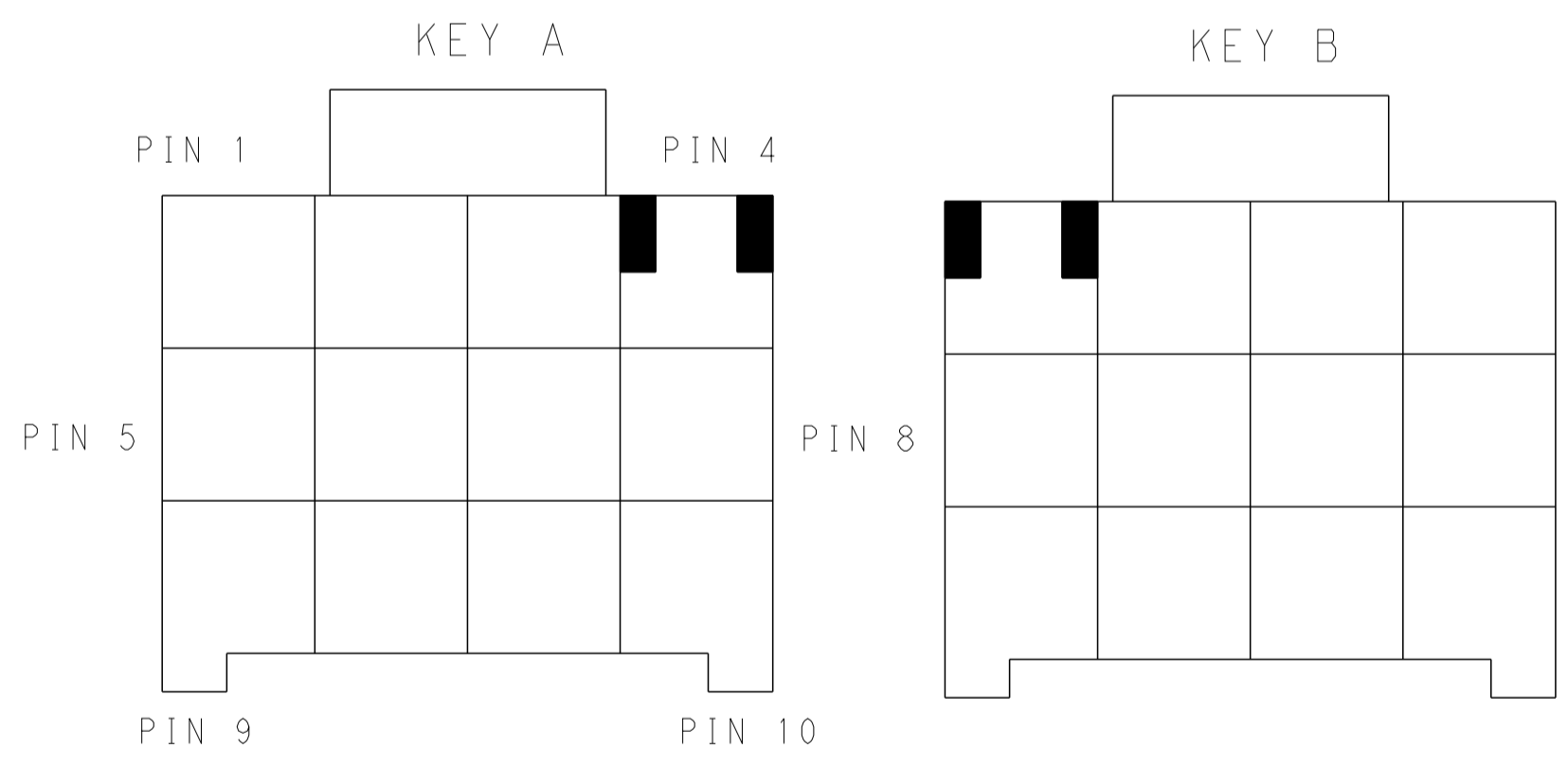
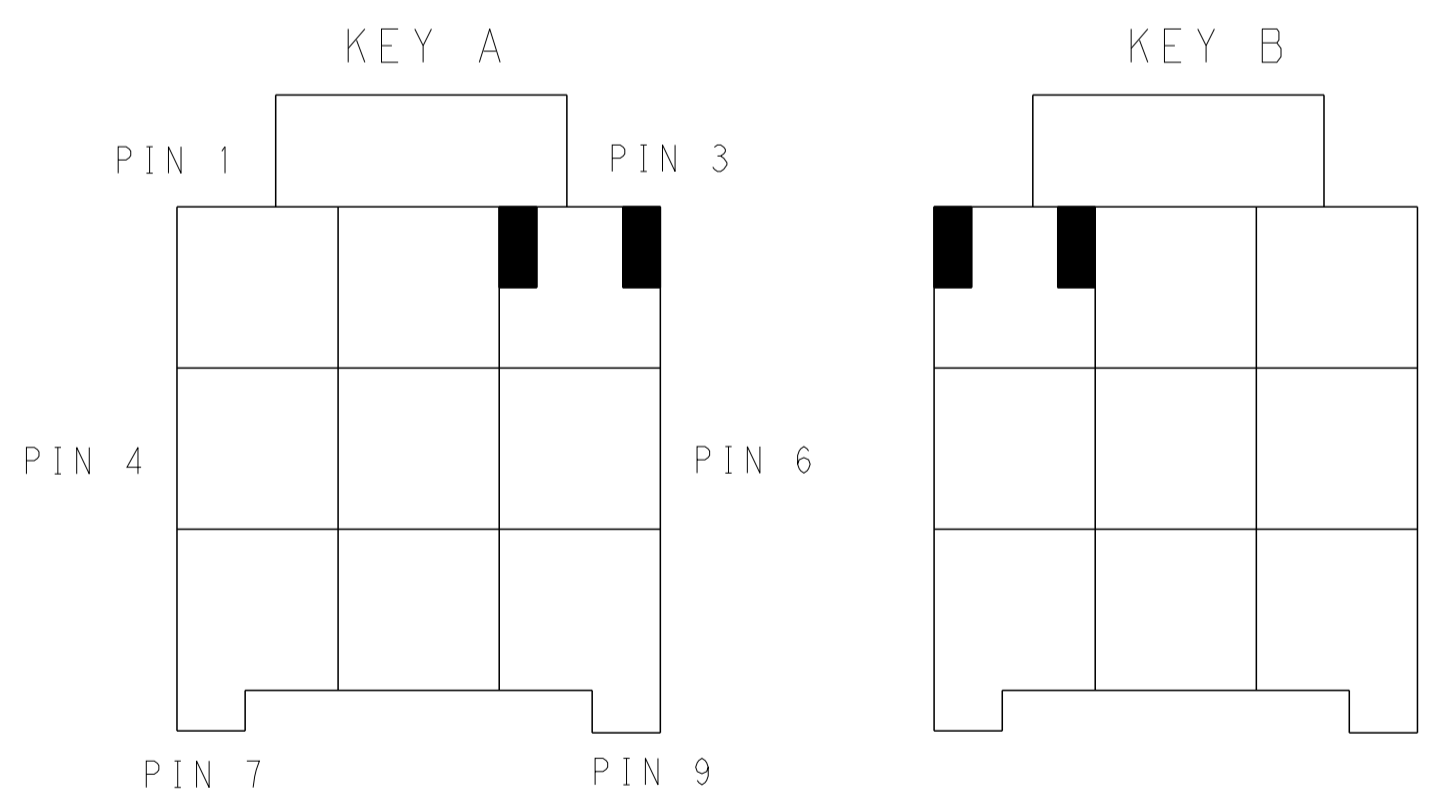


3*5	LEVEL A	DARK GREY	KEY A	5-2232360-7
		BROWN	KEY B	6-2232360-7
		GREEN	KEY C	7-2232360-7
		ORANGE	KEY D	8-2232360-7
3*4	LEVEL A	BLACK	KEY A	1-2232360-5
		DARK GREY	KEY A	5-2232360-4
		BROWN	KEY B	6-2232360-4
		GREEN	KEY C	7-2232360-4
3*3	LEVEL A	ORANGE	KEY D	8-2232360-4
		BLACK	KEY A	1-2232360-4
		DARK GREY	KEY A	5-2232360-3
		BROWN	KEY B	6-2232360-3
POS.	MATERIAL	COLOR	KEY	P/N

3*3 POSITIONS

3*4 POSITIONS

3*5 POSITIONS



KEYING FOR 3*3 POS.

KEYING FOR 3*4 POS.

KEYING FOR 3*5 POS.

THIS DRAWING IS A CONTROLLED DOCUMENT.

DIMENSIONS:	TOLERANCES UNLESS OTHERWISE SPECIFIED:	OWN TOMMY WU 26MAR2013	CHK HAPYE WU 26MAR2013	APVD YUHONG MAO 26MAR2013
mm	0 PLC ±0.35 1 PLC ±0.25 2 PLC ±0.25 3 PLC ±0.25 4 PLC ±0.25 ANGLES ±0.1	NAME CAP HOUSING, FREE HANGING, TRIPLE ROW POWER TRIPLE LOCK	SIZE A1	CAGE CODE 100779
MATERIAL	FINISH	APPLICATION SPEC 108-106118	SCALE	SHEET 2 OF 2
		WEIGHT	REV B	

Customer Drawing