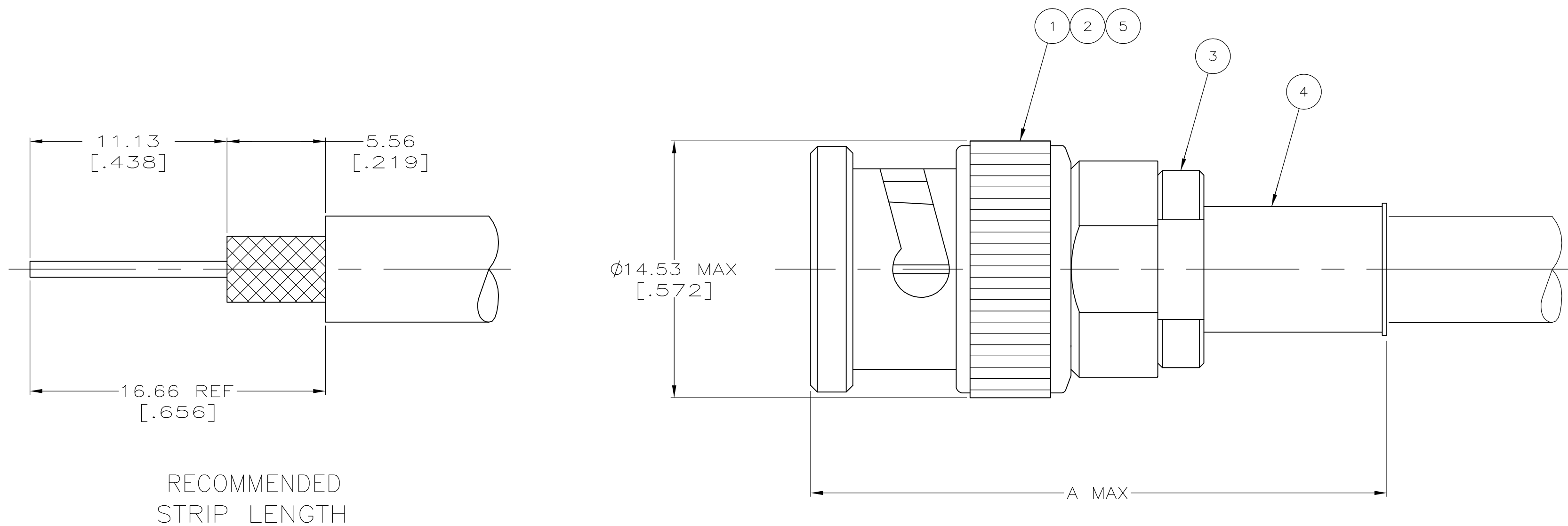


THIS DRAWING IS UNPUBLISHED. RELEASED FOR PUBLICATION
 © COPYRIGHT BY TYCO ELECTRONICS CORPORATION. ALL RIGHTS RESERVED.

LOC	DIST	REVISIONS			
P	LTR	DESCRIPTION	DATE	DWN	APVD
AJ	16	M	REVISED PER EC OS14-0173-05	26JULY05	BM JL

1. CRIMP TOOL: 69141-1
2. RG-59/U,59A/U,59B/U,62/U,62A/U, 62B/U,124/U,140/U AND 210/U
3. SUPERNAUT-TYPE 6244,MODIFIED TO SPEC IM-138 (1250)
4. SEE I.S. 1799-1



RECOMMENDED STRIP LENGTH

SUPERSEDED BY 2-5329083-1	34.93 [1.375]	2	.416 OZ	-	329041	50780-2	2-329106-1	9-329327-0	9-329083-0
OBSOLETE	35.20 [1.386]	3	-	51553-2	50428-1	50780-2	2-329106-1	329327	2-329083-3
SUPERSEDED BY 2-329445-2	-	-	-	-	-	-	-	-	2-329083-2
	34.93 [1.375]	2	.416 OZ	-	329041	50780-2	2-329106-1	329327	2-329083-1
A	CABLE	WEIGHT	5 BUSHING QTY=1	4 FERRULE QTY=1	3 CRIMP END ASSEMBLY QTY=1	2 GASKET QTY=1	1 PLUG ASSEMBLY QTY=1	PART NUMBER	

THIS DRAWING IS A CONTROLLED DOCUMENT.

DWN	B. SCOTT	07-01-91	 Tyco Electronics Corporation Harrisburg, Pa 17105-3608
CHK	J. LIPPERT	7-30-91	
APVD	M. PHILLIPS	7-30-91	
PRODUCT SPEC			
APPLICATION SPEC			NAME
DIMENSIONS: mm [INCHES]			SIZE
TOLERANCES UNLESS OTHERWISE SPECIFIED:			CAGE CODE
0 PLC ± -			DRAWING NO
1 PLC ± -			RESTRICTED TO
2 PLC ± 0.41 [.016]			SCALE
3 PLC ± -			SHEET
4 PLC ± -			OF
ANGLES ± -			REV
FINISH			M

MATERIAL: -

WEIGHT: -

CUSTOMER DRAWING

SCALE: 5:1

SHEET 1 OF 1

REV M