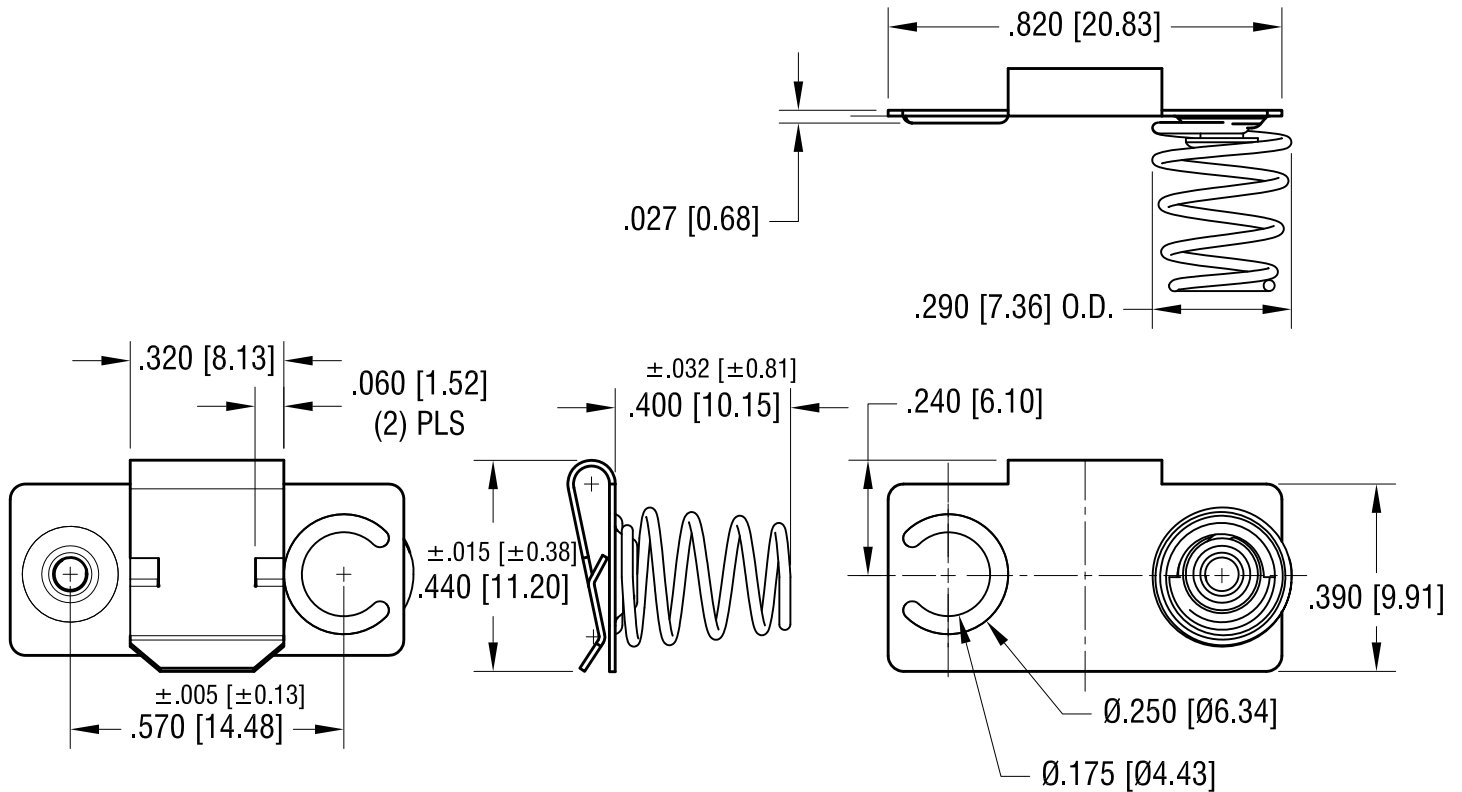
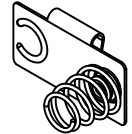


THIS DOCUMENT IS THE PROPERTY OF  
KEYSTONE ELECTRONICS CORP. AND  
SHALL NOT BE REPRODUCED, DISTRIBUTED  
OR USED AS A BASIS FOR MANUFACTURE  
WITHOUT PRIOR WRITTEN PERMISSION  
FROM KEYSTONE ELECTRONICS CORP.

**ACTUAL SIZE**



**NOTES:**

1. BASE:  
MAT'L - .012 [0.30] TH'K SPRING STEEL
2. SPRING CONTACT:  
MAT'L - .023 [0.58DIA. MUSIC WIRE
3. SPRING EYELETED TO BASE

|   |        |            |         |
|---|--------|------------|---------|
| <b>KEYSTONE ELECTRONICS CORP.</b>                               |        |            |         |
| www.keyelco.com • ASTORIA, N.Y. 11105-2017 • Tel (718) 956-8900 |        |            |         |
| PART NAME   |        |            |         |
| M/F CONTACT FOR 'A'-'AA'  |        |            |         |
| MATERIAL  |        |            |         |
| AS NOTED  |        |            |         |
| FINISH  |        | DRN BY     | DATE    |
| NICKEL PLATE  |        | NT         | 3.31.16 |
|   |        | APP'D      | SCALE   |
|   |        | LN         | 2.5X    |
| TOLERANCES  | INCH   | [MM]       | CODE    |
| DECIMAL   | ± .010 | [± 0.25]   | C       |
| ANGULAR   | ± 1°   |            |         |
| UNLESS OTHERWISE SPECIFIED                                      |        |            |         |
| DWG NO.   |        | <b>293</b> |         |

|      |             |      |
|------|-------------|------|
| DATE | DESCRIPTION | REV. |
|------|-------------|------|