

4

3

2

1

THIS DRAWING IS UNPUBLISHED
VERTRAULICHE UNVERÖFFENTLICHE ZEICHNUNG

RELEASE FOR PUBLIKATION
FREI FUER VERÖFFENTLICHUNG

MATED WITH:
PASSEND ZU:

LOC

DIST

REVISIONS

ÄNDERUNGEN

© COPYRIGHT 2000

BY AMP INCORPORATED

ALL RIGHTS RESERVED
ALLE RECHTE VORBEHALTEN

1104700

AI

-

P

LTR

DESCRIPTION
BESCHREIBUNG

DATE

DWN

APVD

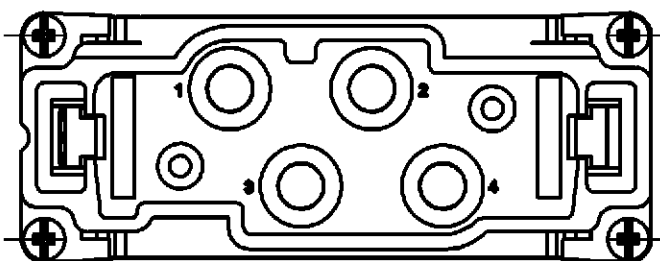
PN 0-2 WILL BE OBSOLETE ECR-07-001114

14.05.2007

SR

SM

CONTACT ARRANGEMENT VIEW FROM CONECTING SIDE

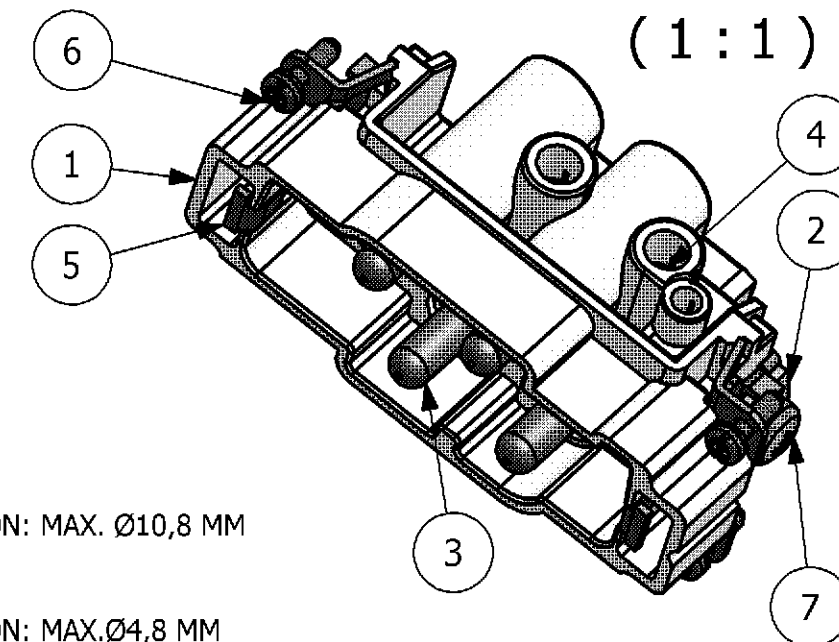


A (2:1)



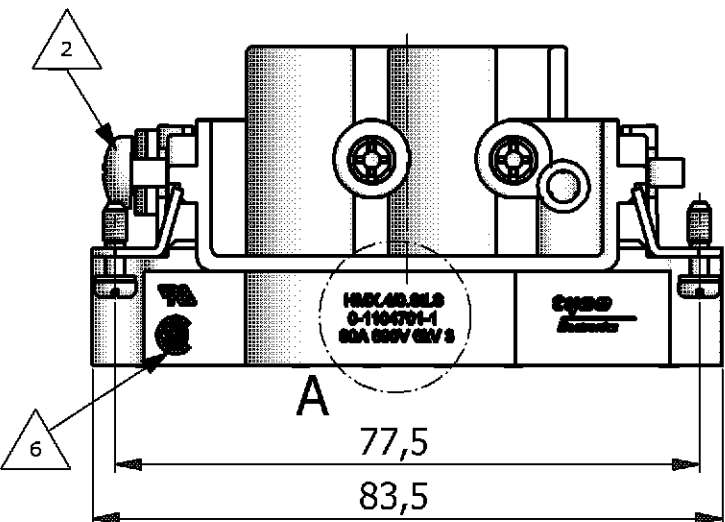
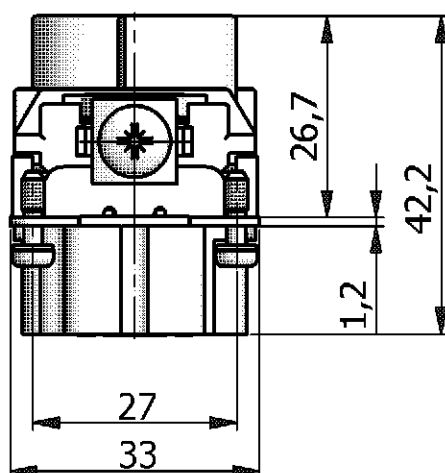
0-1 AS SHOWN
ORDERING TEXT: HMX.4/0.STI.S

(1:1)

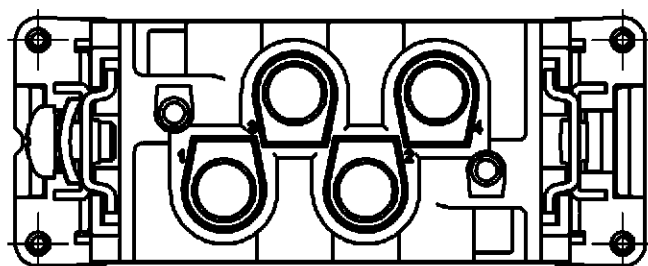


NOTES

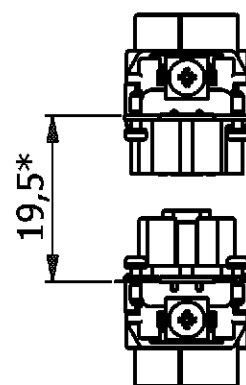
- 1 POWER CONTACT: 1 TO 4
OUTER DIMENSIONS OF INSULATION: MAX. Ø10,8 MM
- 2 SIGNAL CONTACT: 11 and 12
OUTER DIMENSIONS OF INSULATION: MAX. Ø4,8 MM
- 3 GROUNDING CONTACT:
- 4 SUITABLE HOOD SIZE 6: SERIES HB; HD; EMV AND HIP
- 5 STANDARDS:
DIN EN 61984; DIN EN 60664-1
- 6 UL; CSA AUTHORISATION
- 7 PACKAGING:
5 PIECES IN A CARTON



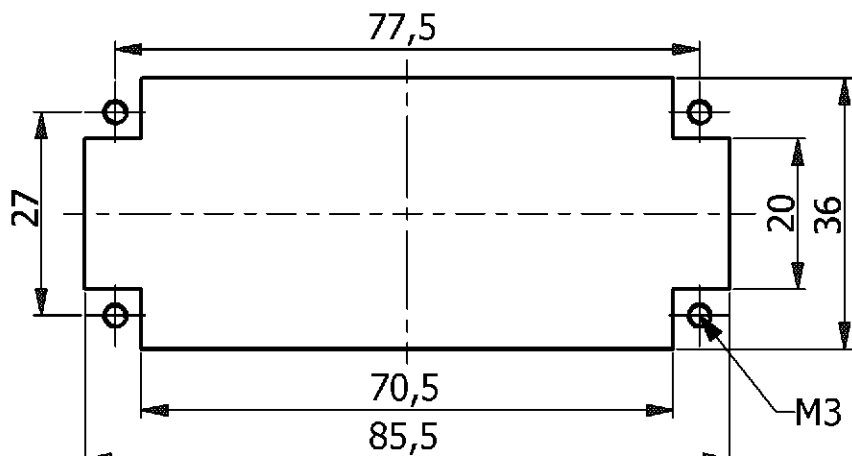
CONTACT ARRANGEMENT VIEW FROM TERMINATION SIDE



* DISTANCE FOR GUARANTEED
CONTACT MAX. 21 mm



PANET CUT-OUT CONTACT INSERT WHEN USED WITHOUT HOUSING



QTY.	DESCRIPTION	MATERIAL	SURFACE	COLOR	NOTE	ITEM
1	SCREW	STEEL	NICKEL PLATED	BLUE	DIN EN ISO 1207-M5X8	7
4	FIXING SCREW	STEEL	NICKEL PLATED	BLUE	M3X10,5	6
2	PIN GROUNDING CONTACT	BRASS	NICKEL PLATED	BLUE	-	5
4	THREAD PIN	STEEL	NICKEL PLATED	BLUE	-	4
4	PIN CONTACT	BRASS	SILVER PLATED	BLUE	-	3
1	CLAMP TAB	STEEL	NICKEL PLATED	BLUE	---	2
1	MALE INSERT	PBT-GF30	-	LIGHT GREY	-	1

PARTS LIST

THIS DRAWING IS A CONTROLLED DOCUMENT FOR AMP INCORPORATED. IT IS SUBJECT TO CHANGE AND THE CONTROLLING ENGINEERING ORGANIZATION SHOULD BE CONTACTED FOR THE LATEST REVISION. DIESSES ZEICHNUNGSDOKUMENT WIRD DURCH AMP INCORPORATED KONTROLLIERT. ÄNDERUNGEN, DIE DEM TECHNISCHEN FORTSCHRITT DIENTEN, SIND VORBEHALTEN. DEN JEWELIGS LETZTGÜLTIGEN ÄNDERUNGSSTAND ERFAHREN SIE AUF ANFRAGE.		DWN	12.07.2005	tyco Electronics		Tyco / Electronics AMP GmbH D - 53819 Neunkirchen	
DIMENSIONS: DIMENSIONEN: mm		CHK	12.07.2005				
TOLERANCES UNLESS OTHERWISE SPECIFIED: ALLGEMEINTOLERANZEN		T. SCHNURPFEIL		NAME		MALE INSERT HMX.4/0.STI.S	
n. ISO 8015 - n. ISO 2768 - m H E n. DIN 16901- 140		APVD		PRODUCT SPEC. PRODUKTSPEZ.		RESTRICTED TO NUR FUER	
0 PLC # 1 PLC # 2 PLC # 3 PLC # ANGLES / WINKEL #		114-74058		APPLICATION SPEC. VERARBEITUNGSSPEZ.		DRAWING NO ZEICHNUNGS-NR.	
MATERIAL		WEIGHT GEWICHT		SIZE		CAGE CODE	
FINISH / OBERFLÄECHE / FARBE		0,118 KG		A3		00779	
CUSTOMER DRAWING / KUNDENZEICHNUNG				SCALE MASSSTAB		SHEET BLATT	
				1:1		1 OF VON 1	
						REV. B2	