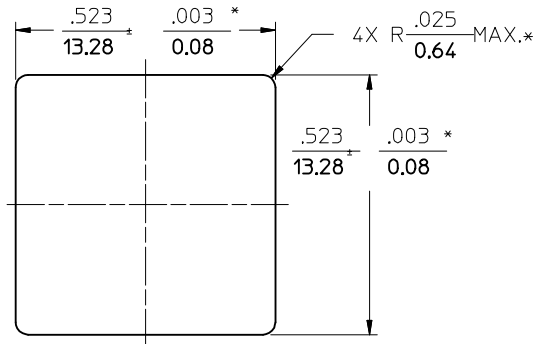
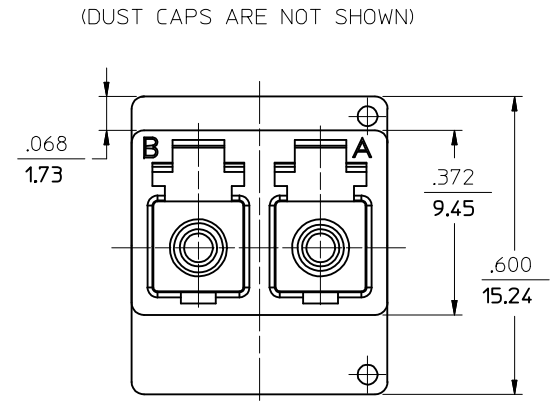
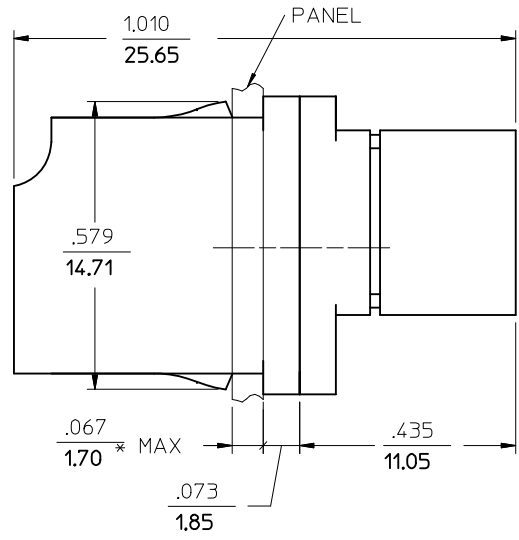
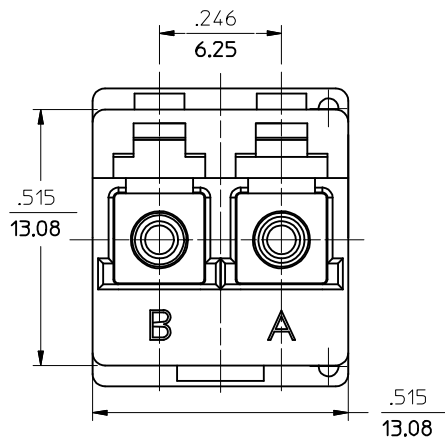


ADAPTER P/N	COLOR	SPLIT SLEEVE MATERIAL
106125-1000	BLUE	ZIRCONIA - ZrO <sub>2</sub>
106125-0010	BEIGE	Ph. Bronze
106125-1050	GREEN	ZIRCONIA - ZrO <sub>2</sub>
106125-0000	BLUE	Ph. Bronze
106125-1010	BEIGE	ZIRCONIA - ZrO <sub>2</sub>
106125-1090	RED	ZIRCONIA - ZrO <sub>2</sub>
106125-1070 SEE NOTE 2	BLUE	ZIRCONIA - ZrO <sub>2</sub>



RECOMMENDED PANEL CUTOUT  
 PANEL THICKNESS  $\frac{.067}{1.70}$  MAX.

- NOTES:
- ALL DIMENSIONS ARE FOR REFERENCE ONLY, EXCEPT WHEN MARKED WITH (\*).
  - ADAPTERS 1061251070 ARE BULK PACKAGED 10 pcs PER BAG.

<b>ENTER DESCRIPTION</b> EC NO: MF2016-0179 DRAWN: YBEDNYAK 2015/09/16 CHKD: APPR: LGUMIN 2015/09/16 A4	<b>QUALITY SYMBOLS</b> ▽=0 ▽=0	GENERAL TOLERANCES (UNLESS SPECIFIED)		DIMENSION STYLE IN/MM		SCALE 4:1	DESIGN UNITS INCH	THIRD ANGLE PROJECTION			
		4 PLACES ± --- ± --- 3 PLACES ± --- ± --- 2 PLACES ± --- ± --- 1 PLACE ± --- ± --- 0 PLACE ± ±	mm INCH	DRAWN BY PGIBLIN	DATE 2005/10/03	TITLE LC DUPLEX ADAPTER, LOW PROFILE					
		DRAFT WHERE APPLICABLE MUST REMAIN WITHIN DIMENSIONS		CHECKED BY	DATE						
		MATERIAL NO. SEE TABLE		APPROVED BY		DATE	DOCUMENT NO. SD-106125-X0X0				SHEET NO. 1 OF 1

**molex**

THIS DRAWING CONTAINS INFORMATION THAT IS PROPRIETARY TO MOLEX INCORPORATED AND SHOULD NOT BE USED WITHOUT WRITTEN PERMISSION