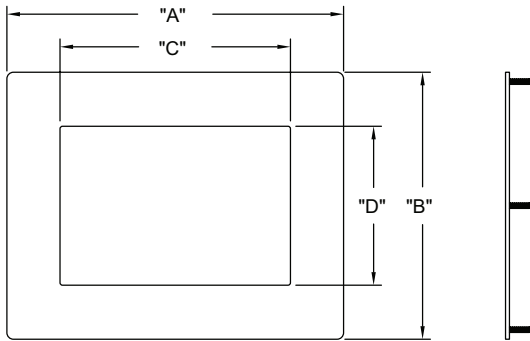


MODEL G3AD – G3-TO-GRAPHITE ADAPTER PANELS

GENERAL DESCRIPTION

The Model G3AD adapter panels provide the necessary hardware to install a Graphite unit into an existing cutout where a G3 unit once resided. These panels are coated with a durable silver finish that matches the powder coat used on the Graphite series HMI. Also included in the kit are the necessary KEPS nuts and panel gasket required to meet any NEMA 4X/IP66 (Face only) application.

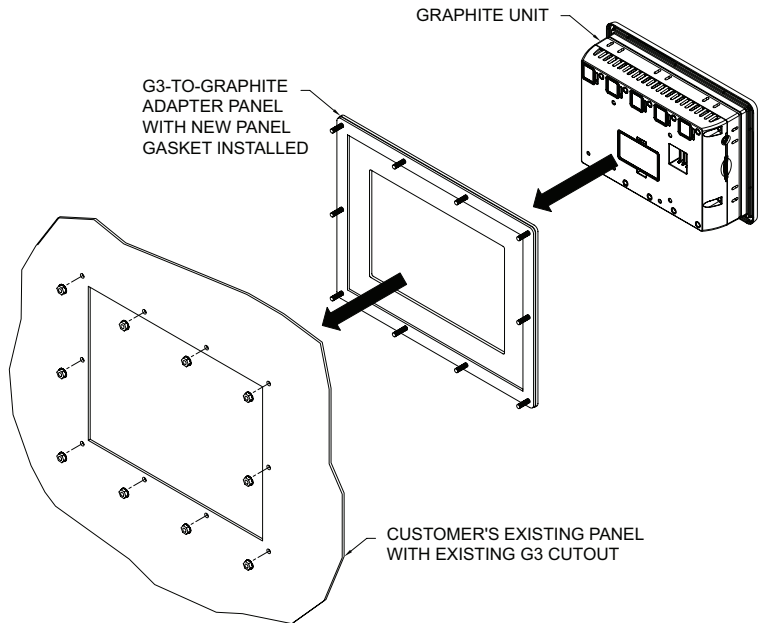
ADAPTER PANEL DIMENSIONS In inches (mm)



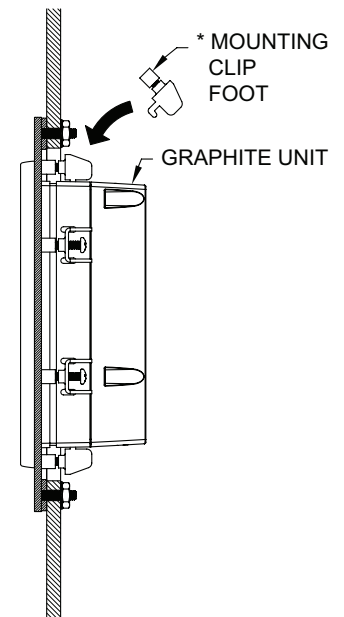
EXISTING G3 UNIT	REPLACEMENT GRAPHITE UNIT	DIM "A"	DIM "B"	DIM "C"	DIM "D"
G306	G07	8.83	7.08	7.06	4.869
G308	G07	10.32	8.18	7.06	4.869
G310	G09	12.83	9.50	9.423	5.832
G310	G10	12.83	9.50	10.197	7.931
G310	G12	12.83	9.50	11.458	7.561
G315	G15	16.00	13.00	13.39	10.457

MOUNTING PROCEDURE

1. Remove existing G3 HMI from panel.
2. Install new G3-to-Graphite adapter panel into existing G3 cutout using the supplied panel gasket.
3. Install new KEPS nuts (supplied) onto new panel and tighten evenly for uniform gasket compression.
 Note: tightening the KEPS nuts beyond a maximum of 17 inch-pounds (1.92 N-m) may cause damage to the front panel.
4. Install new Graphite unit into adapter panel using the mounting clips supplied with the Graphite unit and tighten to 6.0 pound-force inch (96 ounce-force inch) evenly for uniform gasket compression.



*The mounting clips may or may not need the mounting foot removed in certain installations, depending on how close the Graphite cutout is to the original G3 cutout.



ORDERING INFORMATION

MODEL NO.	DESCRIPTION	PART NUMBER
G3AD	Adapter Panel G306 To Graphite G07	G3AD0607
	Adapter Panel G308 To Graphite G07	G3AD0807
	Adapter Panel G310 To Graphite G09	G3AD1009
	Adapter Panel G310 To Graphite G10	G3AD1010
	Adapter Panel G310 To Graphite G12	G3AD1012
	Adapter Panel G315 To Graphite G15	G3AD1515