

4

3

2

1

THIS DRAWING IS UNPUBLISHED.

RELEASED FOR PUBLICATION

20

© COPYRIGHT 20 BY -

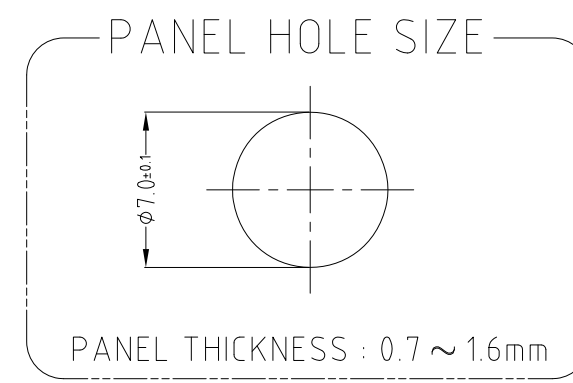
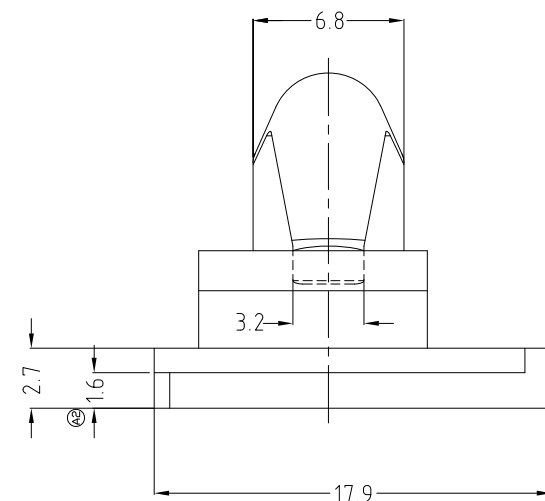
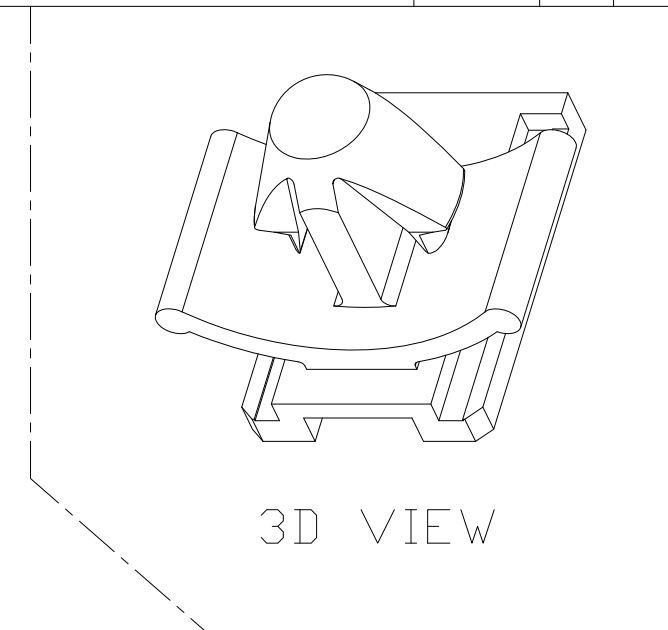
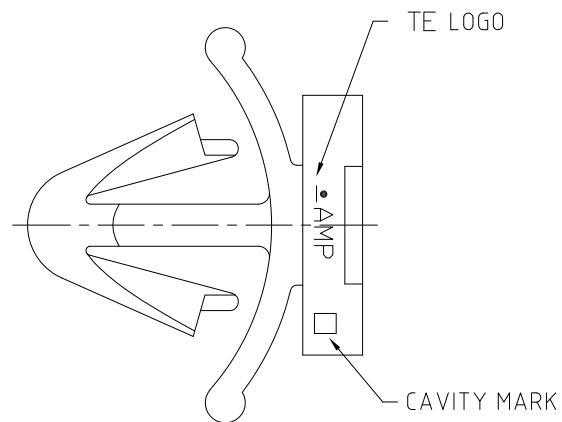
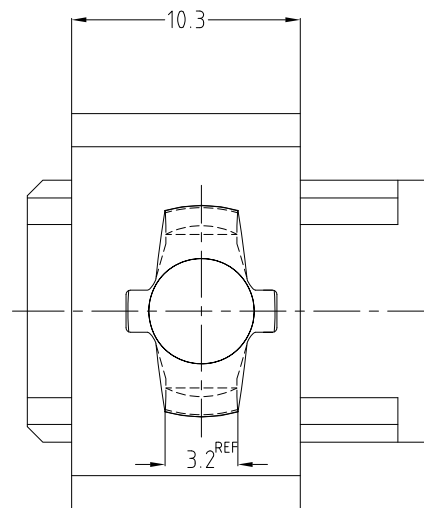
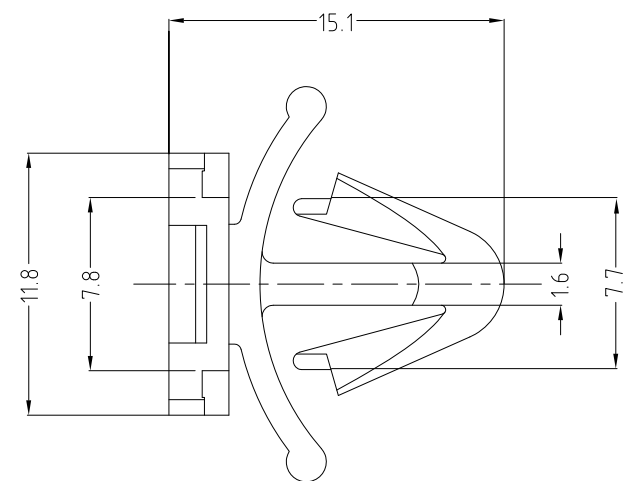
ALL RIGHTS RESERVED.

LOC DS

DIST -

REVISIONS

P	LTR	DESCRIPTION	DATE	DWN	APVD
	A2	REVISED (ECR-11-010253)	13.MAY.'11	SJ	HG



THIS DRAWING IS A CONTROLLED DOCUMENT.		DWN SJ CHOI			
DIMENSIONS: mm		CHK JW JUNG			
TOLERANCES UNLESS OTHERWISE SPECIFIED:		APVD HG CHD		NAME	
0 PLC ±-		PRODUCT SPEC		CLIP HSG FOR .090II MLC(φ7 HOLE)	
1 PLC ±0.1		APPLICATION SPEC		SIZE CAGE CODE DRAWING NO RESTRICTED TO	
2 PLC ±0.01		WEIGHT -		A3 00779 C-368260 -	
3 PLC ±0.001				SCALE 3/1 SHEET 1 OF 1 REV A2	
4 PLC ±0.0001					
ANGLES ±					
MATERIAL -		FINISH			