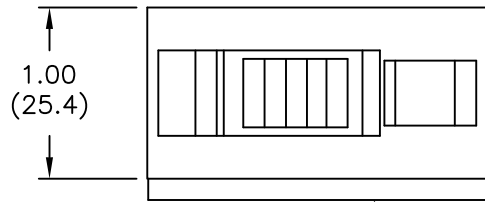
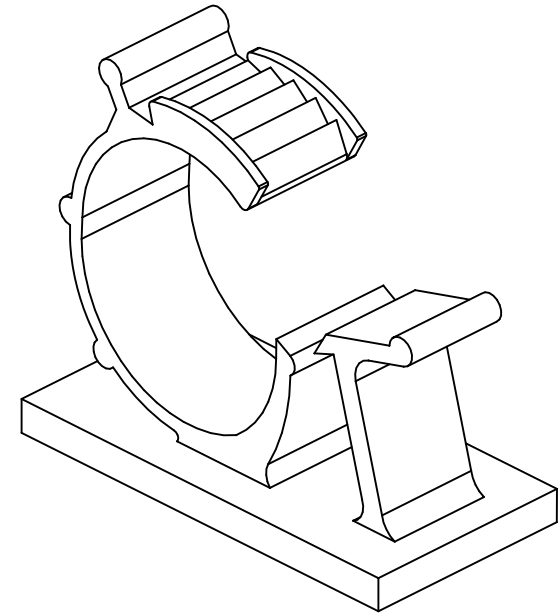
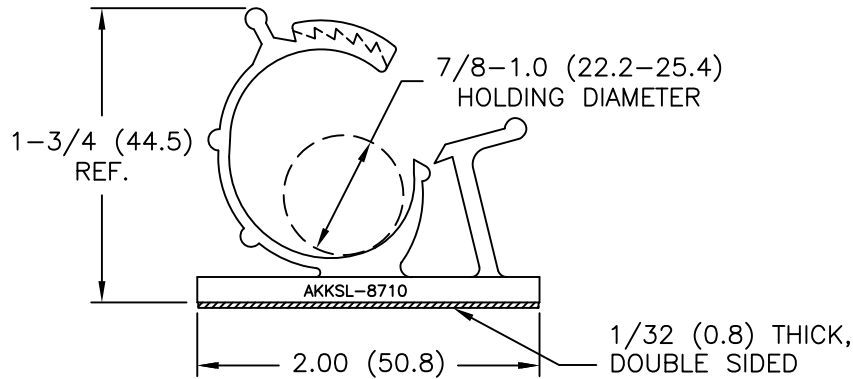


PART NO.	DESCRIPTION
AKKSL-8710A-RT	W/ ADHESIVE TAPE
AKKSL-8710	WITHOUT TAPE



TYPICAL RELEASE  
TAB LOCATION.



NOTES:

1. MATERIAL: NYLON 6/6 (RMS-01).  
FLAME RETARDANT, NYLON (RMS-19),  
AVAILABLE BY SPECIAL ORDER ONLY.
2. COLOR: NATURAL.
3. ACRYLIC ADHESIVE TAPE (RMS-15),  
WHITE LINER.
4. RUBBER ADHESIVE TAPE (RMS-102),  
BLUE LINER. AVAILABLE BY SPECIAL  
ORDER ONLY. TO ORDER USE  
P/N: AKKSL-8710A1-RT-XX

TITLE: ADJUSTABLE KWIK KLIP, SIDE LOCKS		DWG IN IN (MM)	FINAL	PRINT TYPE
TOLERANCES UNLESS NOTED .XX=±.020 .XXX=±.015 FRAC=±1/64 ANG=±1'	FILE # AKKSL MAT'L: SEE NOTES RE: RICHCO, INC.	DWN: J.B. DT: 11-13-95	APP: DT:	CA
SEE CO 200691 FOR CHANGES	SK 07.11.11	ADDED NOTE 4	SJ 06.03.02	UPDATED PRINT AND ADDED NOTE 3.
MAT'L RMS-19 ADDED	J.L. 12.10.97	DESCRIPTION	ENGR DATE	
RICHCO INC. PO BOX 804238, CHICAGO, 60680 (773) 539-4060		PART # SEE TABLE		