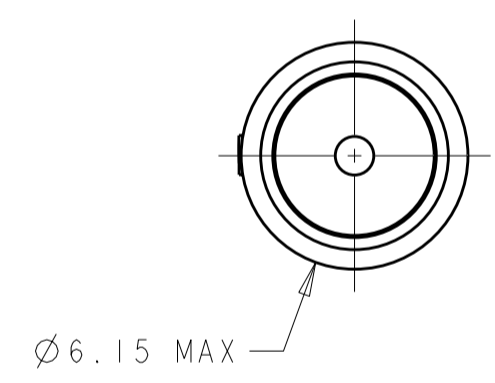
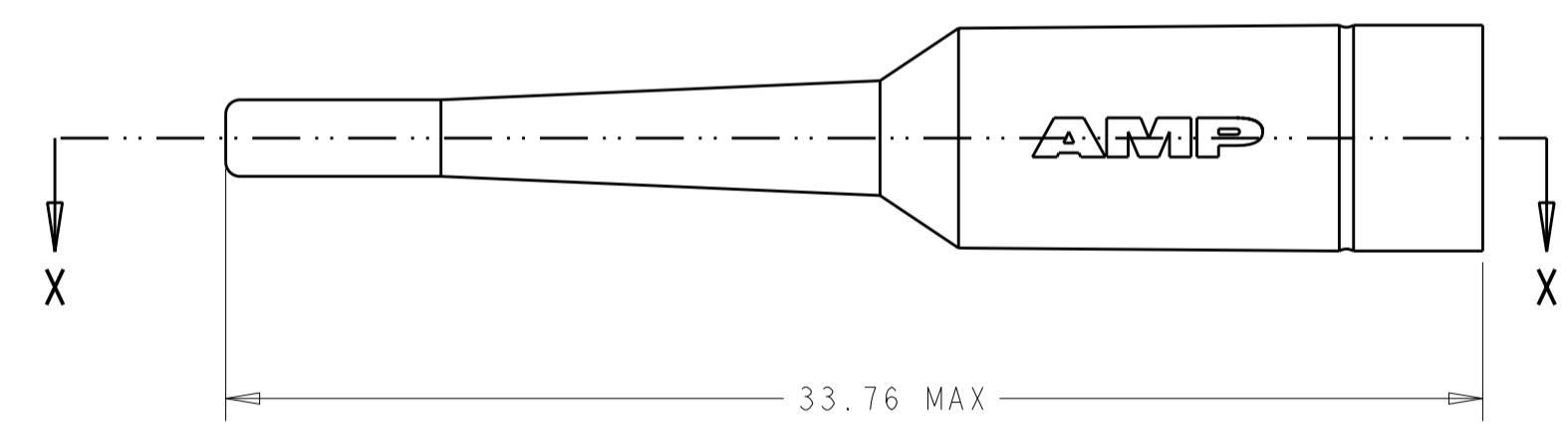
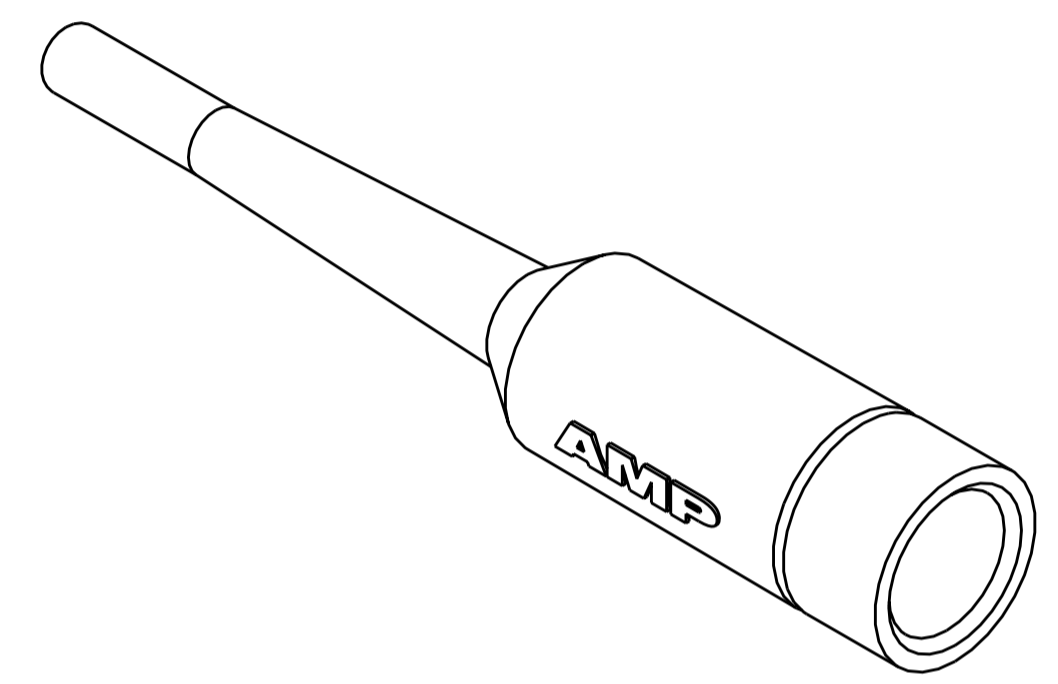
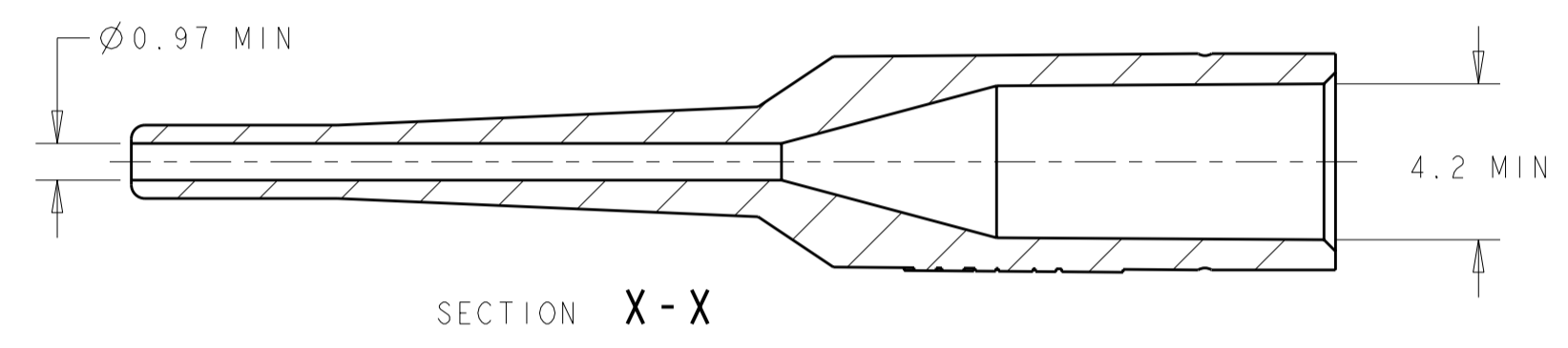


THIS DRAWING IS UNPUBLISHED. RELEASED FOR PUBLICATION 20  
 © COPYRIGHT 20 BY TYCO ELECTRONICS CORPORATION. ALL RIGHTS RESERVED.

LOC	DIST	REVISIONS			
P	LTR	DESCRIPTION	DATE	DWN	APVD
CE	00				
	C	ECR-05-009395	22AUG2005	EJH	SB
	D	REVISE PER ECR-06-029880	09JAN2007	BB	SM



1 MATERIAL: TPE, UL94 V-0 RATED AT QUALIFYING THICKNESS. SEE DASH NUMBER FOR COLOR.

2 NO AMP LOGO.

2	AQUA	1-6457493-8
	AQUA	1-6457493-7
2	GREEN	1-6457493-6
	GREEN	1-6457493-5
2	WHITE	1-6457493-4
2	BEIGE	6457493-9
2	BLUE	6457493-8
	YELLOW	6457493-5
	RED	6457493-4
	BLACK	6457493-3
	BLUE	6457493-1
	COLOR	PART NUMBER

DIMENSIONS:		TOLERANCES UNLESS OTHERWISE SPECIFIED:		DWN	26 JAN 2005	AMP Tyco Electronics Harrisburg, PA 17105-3608
mm		0 PLC	±	E. HOPKINS	26 JAN 2005	
		1 PLC	±	CHK D. ERDMAN	26 JAN 2005	
		2 PLC	±	APVD S. BUCHTER	26 JAN 2005	
		3 PLC	±			
		4 PLC	±			
		ANGLES	±2°			
		FINISH				
MATERIAL						NAME BOOT, BARE BUFFER, SC/FC
						SIZE A2
						CAGE CODE 00779
						DRAWING NO 6457493
						RESTRICTED TO -
						SCALE 5:1
						SHEET 1
						OF 1
						REV D