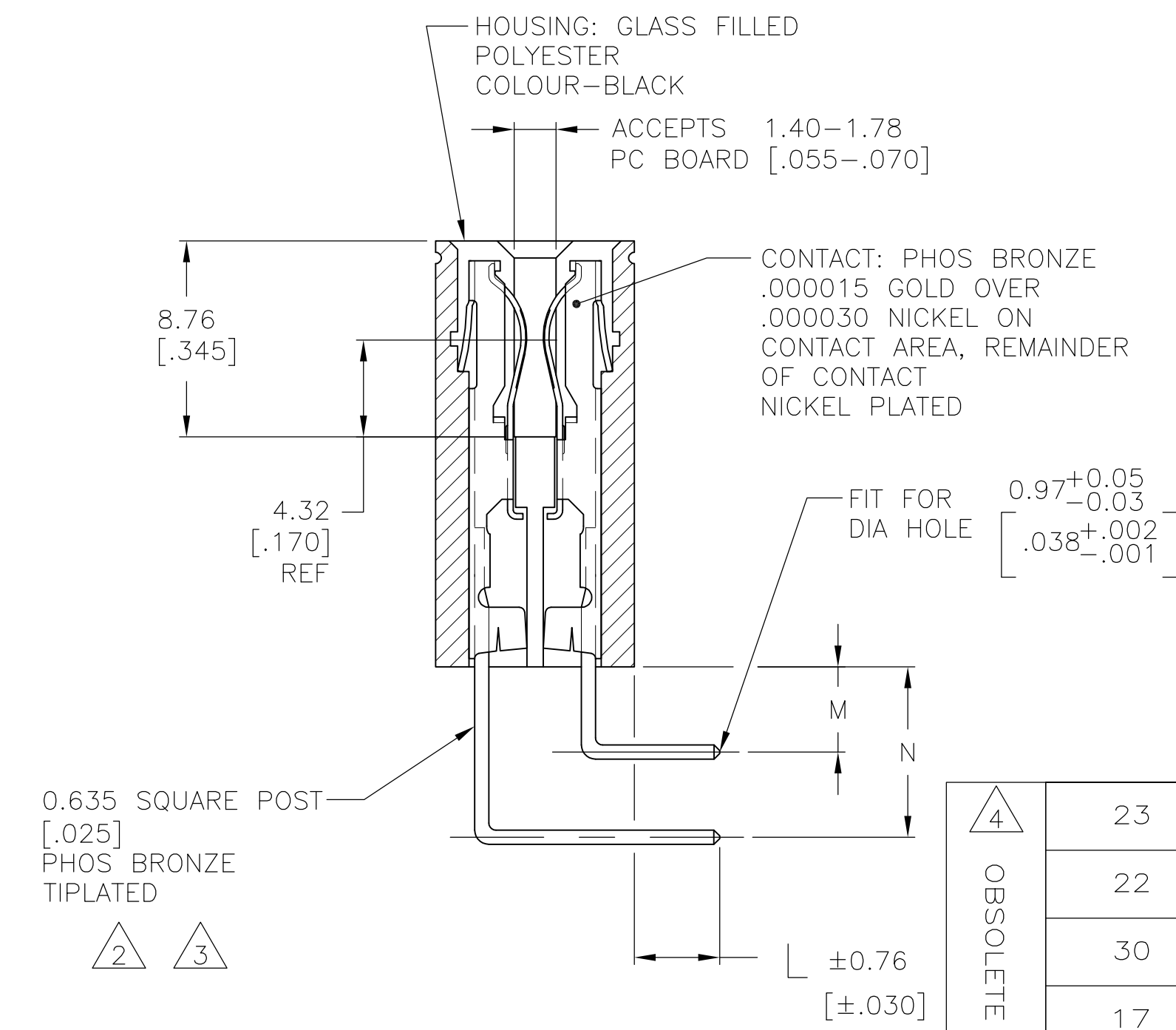


- 1 PRELIMINARY - NOT RELEASED FOR PRODUCTION.
- 2 MATTE TIN PLATED
- 3 TIN-LEAD PLATED
- 4 OBSOLETE PARTS: OBSOLETE CIS STREAMLINING PER D.RENAUD/D.SINISI



NO OF POSITIONS	A	B	C	D	L	M	N	PART NUMBER
23	55.88 [2.200]	60.96 [2.400]	66.04 [2.600]	61.47 [2.420]	3.81 [0.150]	3.81 [0.150]	7.62 [0.300]	6-530218-3
22	53.34 [2.100]	58.42 [2.300]	63.5 [2.500]	58.93 [2.320]	3.81 [0.150]	3.81 [0.150]	7.62 [0.300]	5-530218-9
30	73.66 [2.900]	78.74 [3.100]	83.82 [3.300]	79.25 [3.120]	3.81 [0.150]	3.81 [0.150]	7.62 [0.300]	5-530218-6
17	40.64 [1.600]	45.72 [1.800]	50.8 [2.000]	46.23 [1.820]	3.81 [0.150]	3.81 [0.150]	7.62 [0.300]	5-530218-5
25	60.96 [2.400]	66.04 [2.600]	71.12 [2.800]	66.55 [2.620]	3.81 [0.150]	3.81 [0.150]	7.62 [0.300]	5-530218-1
23	55.88 [2.200]	60.96 [2.400]	66.04 [2.600]	61.47 [2.420]	3.81 [0.150]	3.81 [0.150]	7.62 [0.300]	1-530218-3
15	35.56 [1.400]	40.64 [1.600]	45.72 [1.800]	41.15 [1.620]	0.381 [0.015]	3.81 [0.150]	7.62 [0.300]	1-530218-2
36	88.9 [3.500]	93.98 [3.700]	99.06 [3.900]	94.49 [3.720]	3.81 [0.150]	3.81 [0.150]	7.62 [0.300]	1-530218-1
10	22.86 [0.900]	27.94 [1.100]	33.02 [1.300]	28.45 [1.120]	3.81 [0.150]	3.81 [0.150]	7.62 [0.300]	1-530218-0
22	53.34 [2.100]	58.42 [2.300]	63.5 [2.500]	58.93 [2.320]	3.81 [0.150]	3.81 [0.150]	7.62 [0.300]	530218-9
50	124.46 [4.900]	129.54 [5.100]	132.33 [5.210]	130.05 [5.120]	3.81 [0.150]	3.81 [0.150]	7.62 [0.300]	530218-8
40	99.06 [3.900]	104.14 [4.100]	109.22 [4.300]	104.65 [4.120]	3.81 [0.150]	3.81 [0.150]	7.62 [0.300]	530218-7
30	73.66 [2.900]	78.74 [3.100]	83.82 [3.300]	79.25 [3.120]	3.81 [0.150]	3.81 [0.150]	7.62 [0.300]	530218-6
17	40.64 [1.600]	45.72 [1.800]	50.8 [2.000]	46.23 [1.820]	3.81 [0.150]	3.81 [0.150]	7.62 [0.300]	530218-5
20	48.26 [1.900]	53.34 [2.100]	58.42 [2.300]	53.85 [2.120]	3.81 [0.150]	3.81 [0.150]	7.62 [0.300]	530218-4
13	30.48 [1.200]	35.56 [1.400]	40.64 [1.600]	36.07 [1.420]	3.81 [0.150]	3.81 [0.150]	7.62 [0.300]	530218-3
18	43.18 [1.700]	48.26 [1.900]	53.34 [2.100]	48.77 [1.920]	3.81 [0.150]	3.81 [0.150]	7.62 [0.300]	530218-2
25	60.96 [2.400]	66.04 [2.600]	71.12 [2.800]	66.55 [2.620]	3.81 [0.150]	3.81 [0.150]	7.62 [0.300]	530218-1

THIS DRAWING IS A CONTROLLED DOCUMENT.

DIMENSIONS: mm [INCHES]	TOLERANCES UNLESS OTHERWISE SPECIFIED:	0 PLC ± -	1 PLC ± -	2 PLC ± -	3 PLC ± .005	4 PLC ± -	ANGLES ± -
MATERIAL SEE CALLOUT	FINISH SEE CALLOUT	WEIGHT	SIZE	CAGE CODE	DRAWING NO	RESTRICTED TO	
			A1	00779	530218		

CUSTOMER DRAWING SCALE 4:1 SHEET 1 OF 1 REV W1