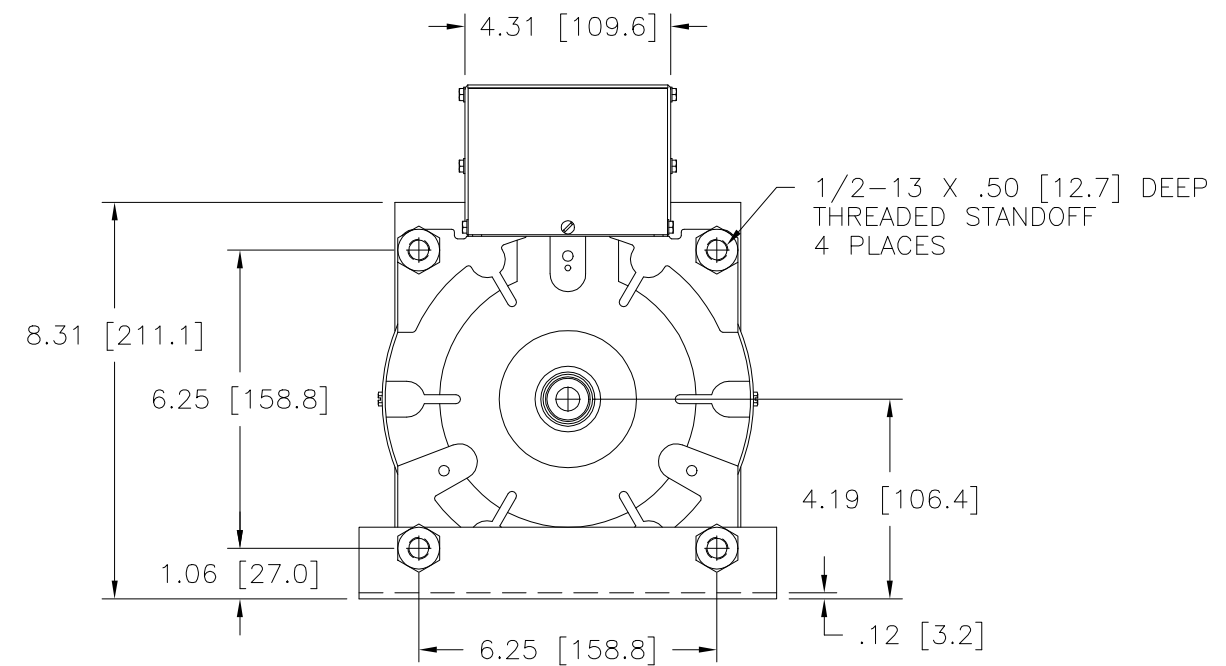


MOTOR CIRCUIT
120V, 50/60 HZ
* ROTATION AS VIEWED
FROM MOTOR END
MOTOR SPEED: SEE CHART

| SPEED (SECONDS) | TYPE NUMBER |
|-----------------|-------------|
| 5 | 5M2510CT-3 |
| 15 | 15M2510CT-3 |
| 30 | 30M2510CT-3 |
| 60 | 60M2510CT-3 |



- NOTES:
- ++ LINE TO LINE VOLTAGE.
 - ** REQUIRES THREE 51LAC PARALLELING CHOKE (NOT SUPPLIED).
 - π IF GANGED UNITS ARE USED IN A SYSTEM THAT ORDINARILY HAS A COMMON NEUTRAL OR GROUND BETWEEN SOURCE AND LOAD, THE NEUTRAL OR GROUND MUST BE CONNECTED TO THE COMMON TERMINALS OF THE VARIABLE TRANSFORMER ASSEMBLY. IF THE SYSTEM HAS NO NEUTRAL, THE LOAD MUST BE BALANCED OR THE TRANSFORMER WILL BE DAMAGED.
 - JUMPER PROVIDED IN STANDARD COMMON POSITION AND SHOULD BE MOVED OR REMOVED AS REQUIRED.
 - + MOTOR DRIVEN UNITS USE TERMINAL CONNECTIONS FOR CCW INCREASING VOLTAGE, AS VIEWED FROM THE BASE END.

| SPECIFICATIONS | | | | | | | | | | | |
|--------------------------|-------|-------|--------|------------------------------------|-------------------------------------|-----------|------------------------------------|------------------------|--------------------------------------------------|-------|-------|
| WIRING | INPUT | | OUTPUT | | | | SHAFT ROTATION TO INCREASE VOLTAGE | TERMINAL CONNECTIONS + | | | |
| | VOLTS | HERTZ | VOLTS | CONSTANT CURRENT LOAD MAX. AMPS | CONSTANT IMPEDANCE LOAD MAX. KVA | MAX. AMPS | | MAX. KVA | FOR INCREASING VOLTAGE AS VIEWED FROM BASE END ■ | | |
| SINGLE PHASE PARALLEL ** | 120 | 50/60 | 0-120 | 75 | 9.00 | 90 | 10.8 | CW | 2-2-2, 4-4-4 | — | 4-D |
| | | | 0-140 | 75 | 10.50 | — | — | CCW | 2-2-2, 4-4-4 | — | 2-D |
| | 240 | 50/60 | 0-240 | 25 | 10.40 | 30 | 12.5 | CW | 1-1-1, 4-4-4 | — | 4-D |
| | | | 0-280 | 25 | 12.10 | — | — | CCW | 5-5-5, 2-2-2 | — | 2-D |
| THREE PHASE WYE π | 240 | 50/60 | 0-240 | 25 | 10.40 | 30 | 12.5 | CW | 2-2-2 | 4-4-4 | 3-3-3 |
| | | | 0-280 | 25 | 12.10 | — | — | CCW | 4-4-4 | 2-2-2 | 3-3-3 |
| | 60 | 50/60 | 0-240 | 25 | 10.40 | 30 | 12.5 | CW | 1-1-1 | 4-4-4 | 3-3-3 |
| | | | 0-280 | 25 | 12.10 | — | — | CCW | 5-5-5 | 2-2-2 | 3-3-3 |

UNLESS OTHERWISE SPECIFIED, TOLERANCE IS * DECIMALS HOLES ANGLES DRAFT UNITS IN [mm] ** .0005 .01 1° 1-1/2°

MATERIAL: ALL DIMENSIONS APPLY AFTER PLATING

TITLE: SPEC. CONTROL DRAWING
MOTORIZED VARIABLE XFMR.
TYPE: M2510CT-3

STACO ENERGY PRODUCTS CO.
A COMPONENTS CORPORATION OF AMERICA COMPANY
DAYTON, OHIO U.S.A.

| | | | | | |
|----------|--------|----------------|-------------------|-------------------|----------|
| DRAWN BY | DATE | FIRST USED ON | DO NOT SCALE DWG. | CUSTOMER APPROVAL | DATE |
| RAU | 3/6/00 | | | | |
| CHECKER | DATE | WEIGHT APPROX. | CODE IDENT. NO. | DWG. NO. | DWG. NO. |
| | | 78 LBS | 83008 | D | 031-5322 |
| ENGINEER | DATE | SCALE | SHEET 1 OF 1 | | |
| | | .50=1 | | | |